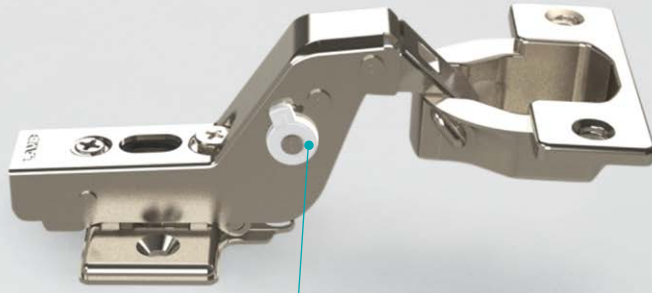


# Thick doors Inset / 93° opening

LAMP

With damper function (5 levels)



Damper power adjustment lever

The picture above shows a combination of a concealed hinge (with damper) and a mounting plate (sold separately).

Cup size  $\phi 40$   
Bore Depth 15mm Door Thickness 18-30mm

3D adjustment  
Depth: +1.7, -2.8mm, Vertical:  $\pm 2.5$ mm,  
Overlay: +0, -4mm

Sold separately: ▶ P.17 -

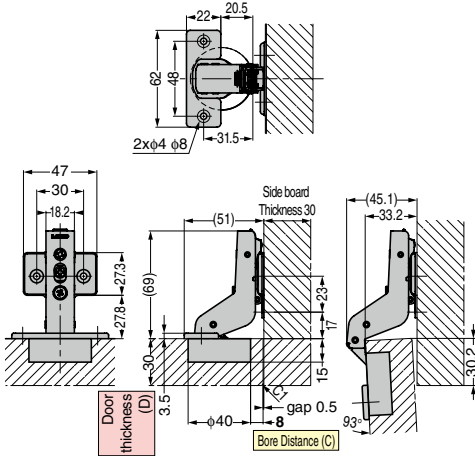
- Mounting plates
- Countersunk head tapping screw 3.5 x 15NI
- Recommended screws: (Countersunk head wood/tapping screw 3.5)

Body

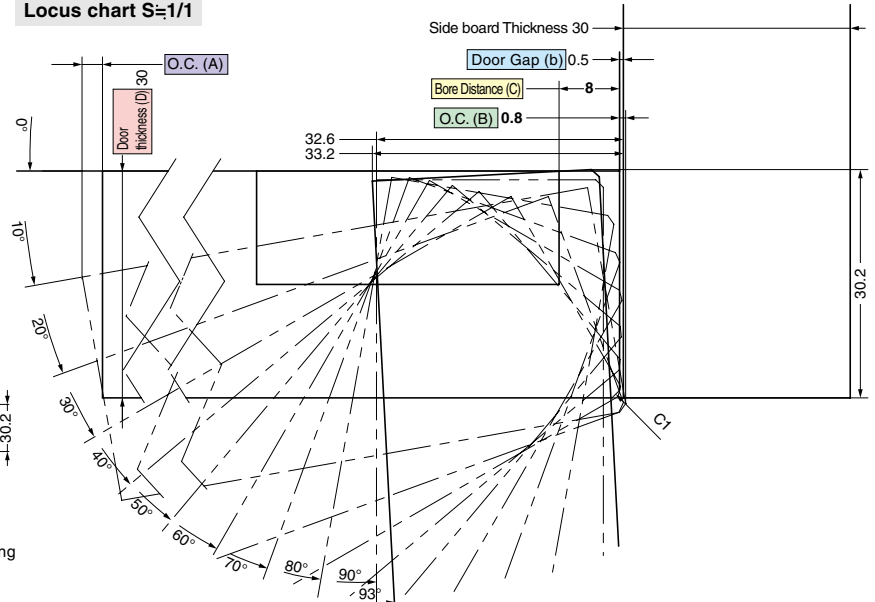
Mounting plate

▶ The installation drawing and locus chart shown are for a 30 mm thick door and side board, a 8mm bore distance and inset installation.

### Installation drawing



### Locus chart S=1/1



Drawings show a hinge, face plate and 360-P4W-30T mounting plate (sold separately).

### Opening Clearance (O.C.)

Clearances for door edge O.C. (A) and hinge side O.C. (B) are necessary. O.C. (A) and (B) change depending on door thickness and bore distance (C). Refer to locus chart and tables below when designing cabinets.

### Opening clearance (B), door thickness (D) and bore distance (C) relationship

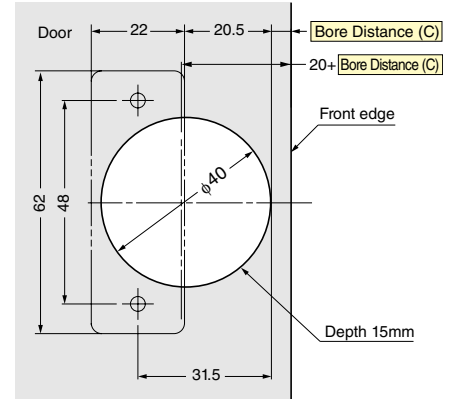
Door Thickness (D)	Bore Distance (C)					
	3	4	5	6	7	8
18	0	0	0	0	0	0
20	0	0	0	0	0	0
22	0	0	0	0	0	0
24	0.1	0.1	0.1	0.1	0.1	0.1
26	0.3	0.3	0.3	0.3	0.3	0.3
28	1.7	0.7	0.5	0.5	0.5	0.5
30	3.9	2.9	2.0	1.4	0.8	0.8
32*	5.9	4.9	3.9	3.3	2.6	2.1
34*	8.1	7.1	6.1	5.1	4.5	3.9

O.C. (B)

\* The table above shows O.C. (B) for C1 chamfering (chamfer plane).

\* Please refer to the locus chart if door thickness is over 30mm. O.C. (B) can be made smaller by R chamfering (round chamfer) and C chamfering (chamfer plane) on the door.

### Cut out dimensions (wooden doors)



### Bore distance (C) and Door Gap (b) relationship

Bore Distance (C)	3	4	5	6	7	8
Door Gap (b)	5.5	4.5	3.5	2.5	1.5	0.5

Door Gap (b) adjustment (+4mm) by turning the overlay adjustment screw. Please check required O.C. (B) at the table below.

### Opening clearance (A) and door width relationship (for 30mm thick door)

Door Width	300	400	500	600
O.C. (A)	0.78	0.55	0.43	0.35

Item code	Item name	Opening angle	Type	Material	Finish	Carton
160-029-086	H360-D26-0T	93°	With damper (5 levels)	Steel	Nickel	100pcs
160-029-083	H360-26-0T		Without catch			
160-029-080	H360-C26-0T		With catch			