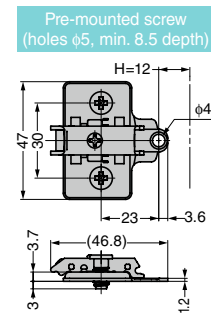
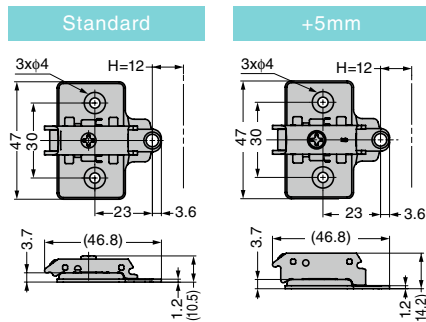


LAMP® Mounting plates 360-P4W-30T

System 30



screw size 6.5x12

Specifications

○ Value of H for inset installation is door thickness + 17mm.

Item code	Item name	Type	Height adjustment	Material	Finish	Carton
160-026-844	360-P4W-30T	Standard	±2.5mm	Steel	Nickel	400pcs
160-035-077	360-P4W-30T+5	+5mm				
160-042-394	360-P4W-30T-DS	Pre-mounted screw				

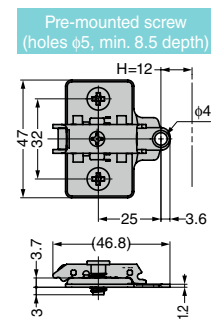
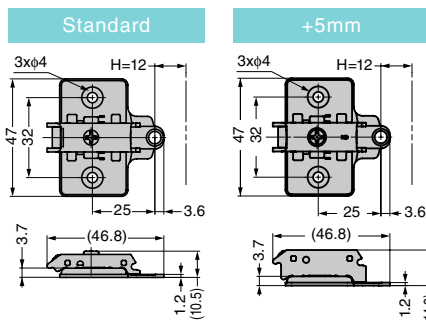
Body

Mounting plate

Option parts

LAMP® Mounting plates 360-P4W-32T

System 32



screw size 6.5x12

Specifications

○ Value of H for inset installation is door thickness + 17mm.

Item code	Item name	Type	Height adjustment	Material	Finish	Carton
160-026-845	360-P4W-32T	Standard	±2.5mm	Steel	Nickel	400pcs
160-035-078	360-P4W-32T+5	+5mm				
160-042-395	360-P4W-32T-DS	Pre-mounted screw				

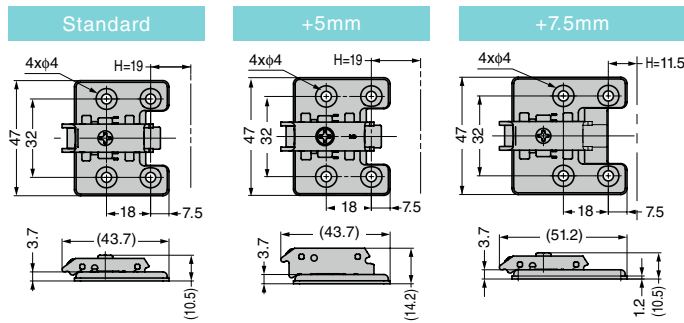
Standard doors

Thick doors

Glass doors

LAMP® Mounting plates 360-P6WT

System 32 with 4 holes



Specifications

- Value of H for inset installation is door thickness + 24mm.
- Mounting plate positioned 7.5mm closer to the front compared to a standard one.
- Value of H for inset installation is door thickness + 16.5mm.

Item code	Item name	Type	Height adjustment	Material	Finish	Carton
160-026-846	360-P6WT	Standard	±2.5mm	Steel	Nickel	400pcs
160-035-079	360-P6WT+5	+5mm				
160-042-393	360-P6W-30-32T	+7.5mm				