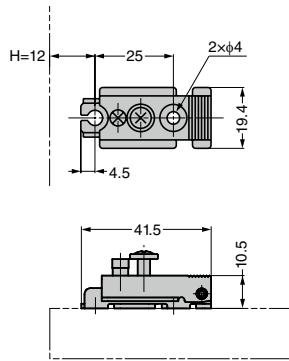


STAINLESS STEEL MOUNTING PLATE 100-P3A-SUS304B

SUS

STANDARD TYPE



- Overlay adjustable.
- Standard height: 0mm
- Value of H: Door thickness + 17mm in use of INSET type (Door thickness + 12mm in use of INSET type of H160 or 170 hinge).

[Recommended Screws]

- M4 binding head screw

RoHS	CAD	Item Code	Item Name	Material	Finish	Weight (g)	Box (pcs)
CE	3D	160-074-155	100-P3A-SUS304B	Stainless Steel (SUS304)	Barrel Polished	21.3	400

TORQUE HINGES

DAMPER HINGES

LIFT ASSIST HINGES

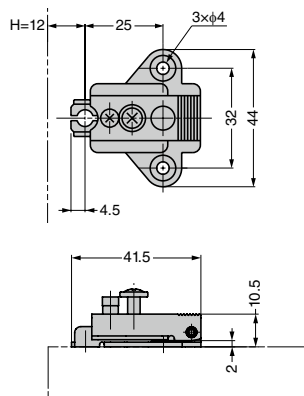
DETENT HINGES

CONCEALED HINGES

STAINLESS STEEL MOUNTING PLATE 100-P4A-32-SUS304B

SUS

SYSTEM 37, 32 TYPE



- Overlay adjustable.
- Standard height: 0mm
- Value of H: Door thickness + 17mm in use of INSET type (Door thickness + 12mm in use of INSET type of H160 or 170 hinge).

[Recommended Screws]

- M4 binding head screw

RoHS	CAD	Item Code	Item Name	Material	Finish	Weight (g)	Box (pcs)
CE	3D	160-074-149	100-P4A-32-SUS304B	Stainless Steel (SUS304)	Barrel Polished	26	400

BUTT HINGES

PIANO HINGES

STEP HINGES

LIFT-OFF HINGES

PIVOT HINGES

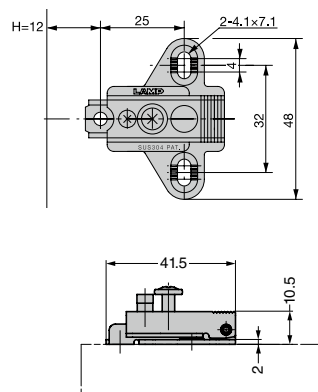
SPRING HINGES

CLEAN ROOM HINGES

HINGES FOR ALUMINIUM FRAME

STAINLESS STEEL MOUNTING PLATE 100-P4A/32-3WAY-SUS304B

SUS



- Overlay adjustable.
- Standard height: 0mm
- Value of H: Door thickness + 17mm in use of INSET type (Door thickness + 12mm in use of INSET type of H160 or 170 hinge).

[Recommended Screws]

- M4 binding head screw

DROP HINGES

GLASS DOOR HINGES

SPECIAL HINGES

RoHS	CAD	Item Code	Item Name	Material	Finish	Weight (g)	Box (pcs)
CE	3D	160-079-044	100-P4A/32-3WAY-SUS304B	Stainless Steel (SUS304)	Barrel Polished	40	400