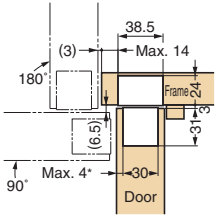
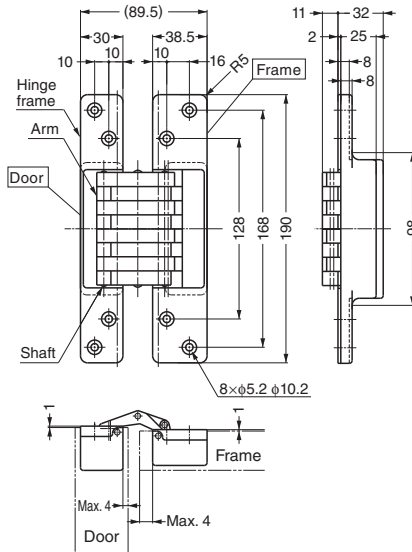


### CONCEALED HINGE



### HES-3038BK

**Features**

Finish available in rich polished brass or sleek stain chrome.

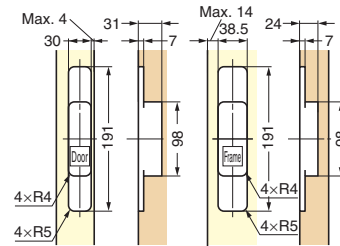
**Remarks**

- Recommend to use 3 pcs per one door.
- Secure to check the dimension of \* marked on below drawings.

**Parts Included**

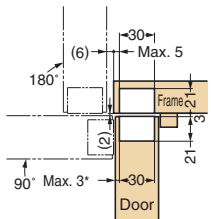
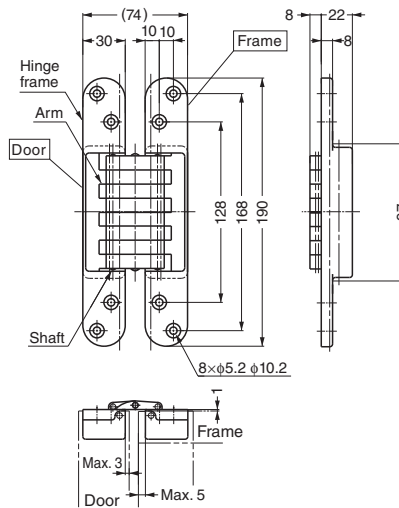
Countersunk head tapping screw 5x26

**Cut Out Dimensions**



Item Code	Item Name	Material	Finish	Door Width	Door Height	Door Thickness	Door Weight	Opening Angle	Weight	Box	Carton
170-091-013	HES-3038BK PB	Brass	Polished	Max. 900	Max. 2000	Min. 36	Max. 45 kg/3 pcs	180°	1360 g	2 pcs	20 pcs
170-091-015	HES-3038BK SC	Brass	Satin Chrome	Max. 900	Max. 2000	Min. 36	Max. 45 kg/3 pcs	180°	1360 g	2 pcs	20 pcs

### CONCEALED HINGE



### HES-3030BR

**Features**

Finish available in rich polished brass or sleek stain chrome.

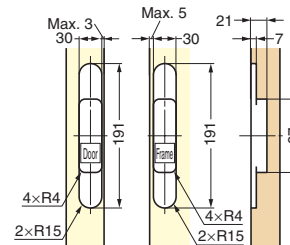
**Remarks**

- Recommend to use 3 pcs per one door.
- Secure to check the dimension of \* marked on below drawings.

**Parts Included**

Countersunk head tapping screw 5x26

**Cut Out Dimensions**



Item Code	Item Name	Material	Finish	Door Width	Door Height	Door Thickness	Door Weight	Opening Angle	Weight	Box	Carton
170-091-003	HES-3030BR PB	Brass	Polished	Max. 900	Max. 2000	Min. 36	Max. 50 kg/3 pcs	180°	1030 g	2 pcs	20 pcs
170-091-014	HES-3030BR SC	Brass	Satin Chrome	Max. 900	Max. 2000	Min. 36	Max. 50 kg/3 pcs	180°	1030 g	2 pcs	20 pcs

※Limited stock available. Please contact your vender.