

# INSET GLASS DOOR HINGE



## GH34-0SS



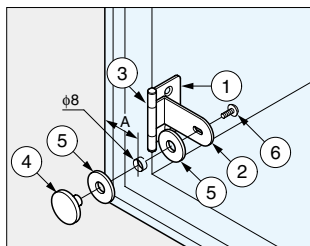
### Features

Hinge for glass/acrylic doors.

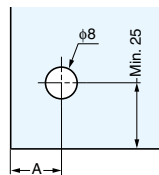
### Remarks

Recommended for use in pairs.

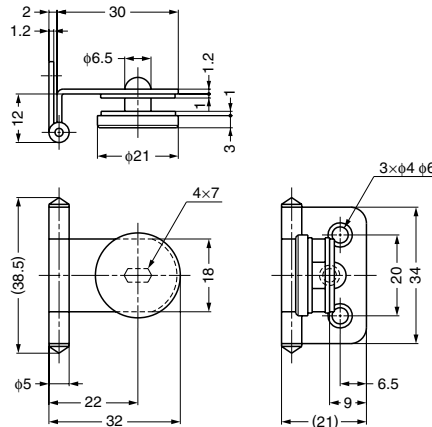
HINGES FOR GLASS DOORS



### Cut Out Dimensions



Glass Thickness	A
4	19
5	18
6	17



No.	Part Name	Material	Finish/Colour
①	Body	Stainless Steel (SUS304)	Plain
②	Arm	Stainless Steel (SUS304)	Plain
③	Shaft	Stainless Steel	Plain
④	Plate	Aluminium Alloy	Anodized
⑤	Washer	Polyvinyl Chloride Resin (PVC)	Clear
⑥	Screw	Stainless Steel	Plain

Item Code	Item Name	Door Width	Door Height	Glass Thickness	Door Weight	Weight	Box	Carton
170-083-529	GH34-0SS	Max. 450	Max. 700	4, 5, 6	Max. 4 kg/2 pcs	20 g	150 pcs	900 pcs

# HALF OVERLAY GLASS DOOR HINGE



## GH34-8SS



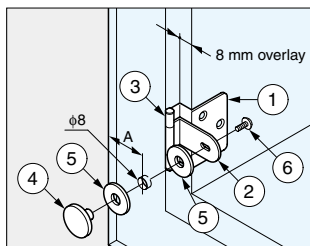
### Features

Hinge for glass/acrylic doors.

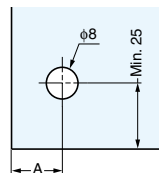
### Remarks

Recommended for use in pairs.

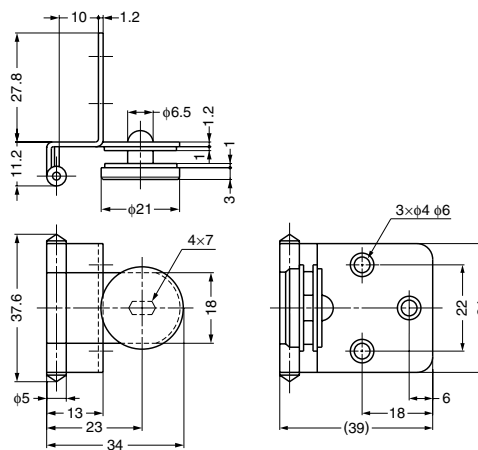
GLASS DOOR HINGE



### Cut Out Dimensions



Glass Thickness	A	Overlay
4	19	8
5	18	7
6	17	6



No.	Part Name	Material	Finish/Colour
①	Body	Stainless Steel (SUS304)	Plain
②	Arm	Stainless Steel (SUS304)	Plain
③	Shaft	Stainless Steel	Plain
④	Plate	Aluminium Alloy	Anodized
⑤	Washer	Polyvinyl Chloride Resin (PVC)	Clear
⑥	Screw	Stainless Steel	Plain

Item Code	Item Name	Door Width	Door Height	Glass Thickness	Door Weight	Weight	Box	Carton
170-083-530	GH34-8SS	Max. 450	Max. 700	4, 5, 6	Max. 4 kg/2 pcs	26 g	100 pcs	600 pcs