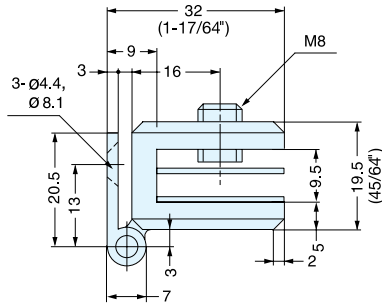
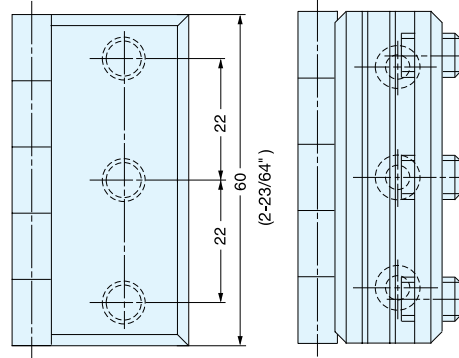


GLASS DOOR HINGE

XL-GH01-600



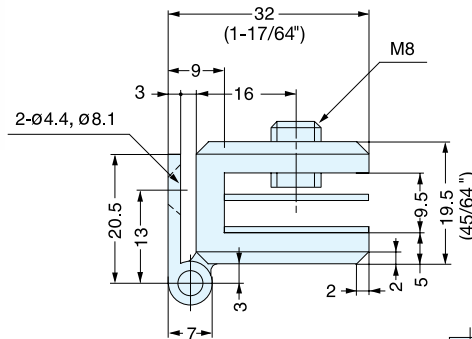
- Pre-drilling on glass/acrylic not required.
- Door thickness: 4~8 mm
- Door size: Max. W450 x H1300 mm (W17-3/4" x H51-3/16")
- Please use 2 spacers for 4 mm door thickness.
- Door Weight Max: 11 kg/pair (24 lbs/pair)



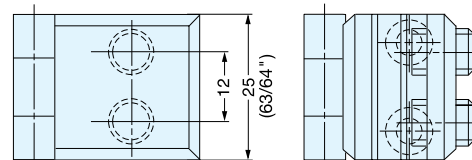
Item No.	Weight (g)	Box (pcs)	Carton (pcs)	Material	Finish
XL-GH01-600	180	10	50	304 Stainless Steel	Polished

GLASS DOOR HINGE

XL-GH01-250



- Pre-drilling on glass/acrylic not required.
- Door thickness: 4~8 mm
- Door size: Max. W400 x H600 mm (W15-3/4" x H23-5/8")
- Please use 2 spacers for 4 mm door thickness.
- Door Weight Max: 4.8 kg/pair (10.5 lbs/pair)



Item No.	Weight (g)	Box (pcs)	Carton (pcs)	Material	Finish
XL-GH01-250	76	10	100	304 Stainless Steel	Polished