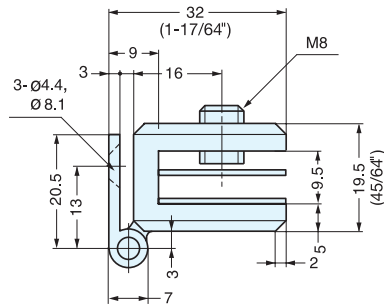


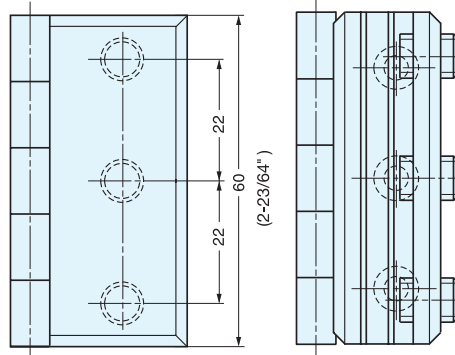
INSET GLASS DOOR HINGE (PRESSURE FIT)

STAINLESS
304
STEEL3.5x20
STAINLESS

XL-GH01-600



- Pre-drilling on glass/acrylic not required.
- Door thickness: 4~6 mm
- Door size: Max. W450 × H1300 mm (W17-3/4" × H51-3/16")
- Door Weight: Max. 11 kg/pair (22 lbs/pair)
- Please use 2 spacers for 4 mm door thickness.

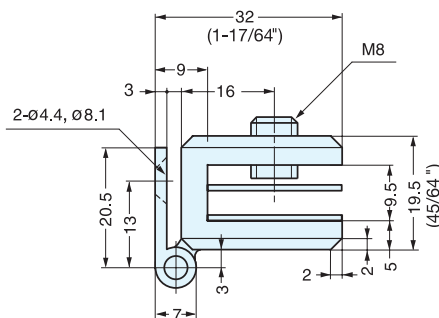


Item No.	Weight (g)	Box (pcs)	Carton (pcs)	Material	Finish
XL-GH01-600	180	10	50	304 Stainless Steel	Polished

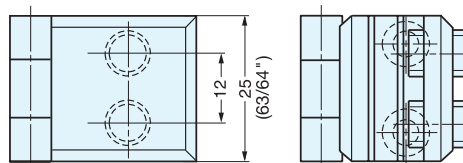
INSET GLASS DOOR HINGE (PRESSURE FIT)

STAINLESS
304
STEEL3.5x20
STAINLESS

XL-GH01-250



- Pre-drilling on glass/acrylic not required.
- Door thickness: 4~6 mm
- Door size: Max. W400 × H600 mm (W15-3/4" × H23-5/8")
- Door Weight: Max. 4.8 kg/pair (10.5 lbs/pair)
- Please use 2 spacers for 4 mm door thickness.



Item No.	Weight (g)	Box (pcs)	Carton (pcs)	Material	Finish
XL-GH01-250	76	10	100	304 Stainless Steel	Polished