

GLASS DOOR HINGE GH34-8CR-K For Overlay Door

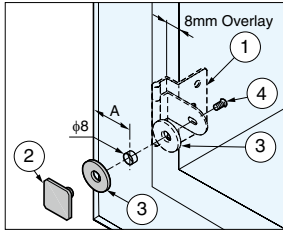


- Hinge for glass/acrylic doors.
- Round plate type GH34-8CR **1** also available.

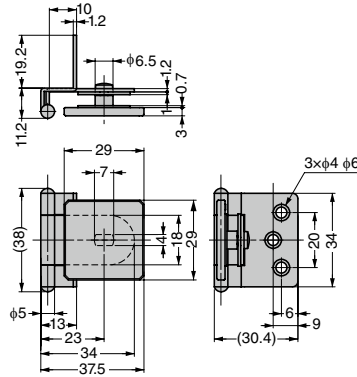
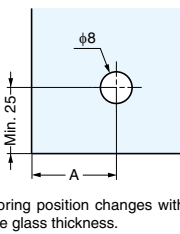
[Remarks]

- Recommended for use in pairs.
- Use screw loosening prevention agent when mounting screws.
- Load capacity is the value when using two hinges. For calculation conditions, please refer to INDEX **2**.

[Parts Composition]



[Cut Out Dimensions]



Glass Thickness	A	Overlay
4	19	8
5	18	7
6	17	6

No.	Part Name	Material	Finish / Colour
①	Body	Steel	Chrome
②	Plate	Zinc Alloy (ZDC)	
③	Washer	PVC	Clear
④	Screw	Steel	Nickel

RHS	CAD	Item Code	Item Name	Door Width	Door Height	Glass Thickness	Load Capacity N/2 pcs	Load Capacity kgf/2 pcs	Weight (g)	Box (pcs)	Carton (pcs)
		170-019-482	GH34-8CR-K	Max. 450	Max. 700	4, 5, 6	39	4	37	50	500

Refer to **1** : P.189, **2** : P.15

※ Load capacity has priority over glass size.

TORQUE HINGES

DAMPER HINGES

LIFT ASSIST HINGES

DETENT HINGES

CONCEALED HINGES

BUTT HINGES

PIANO HINGES

STEP HINGES

LIFT-OFF HINGES

PIVOT HINGES

SPRING HINGES

CLEAN ROOM HINGES

HINGES FOR ALUMINIUM FRAME

DROP HINGES

GLASS DOOR HINGES

SPECIAL HINGES

GLASS DOOR HINGE (W/ CATCH) GHC34-8CR-K For Overlay Door

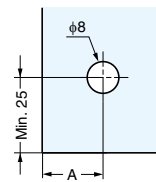


- Hinge for glass/acrylic doors.
- Round plate type GHC34-8CR **1** also available.

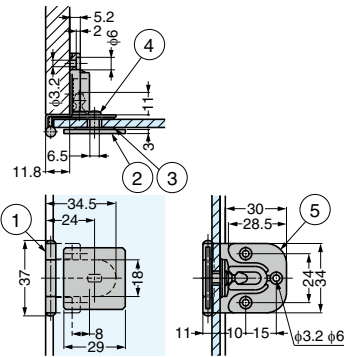
[Remarks]

- Recommended for use in pairs.
- Use screw loosening prevention agent when mounting screws.
- Load capacity is the value when using two hinges. For calculation conditions, please refer to INDEX **2**.

[Cut Out Dimensions]



Boring position changes with the glass thickness.



No.	Part Name	Material	Finish / Colour
①	Body	Steel	Chrome
②	Plate	Zinc Alloy (ZDC)	
③	Washer	PVC	Clear
④	Screw	Steel	Nickel
⑤	Catch	POM	Black

Glass Thickness	A	Overlay
4	19	7
5	18	6
6	17	5

RHS	CAD	Item Code	Item Name	Door Width	Door Height	Glass Thickness	Load Capacity N/2 pcs	Load Capacity kgf/2 pcs	Weight (g)	Box (pcs)	Carton (pcs)
		170-019-480	GHC34-8CR-K	Max. 450	Max. 700	4, 5, 6	39	4	43	40	600

Refer to **1** : P.191, **2** : P.15

※ Load capacity has priority over glass size.