

GLASS DOOR HINGE (W/ CATCH) **GHC34-8** For Overlay Door

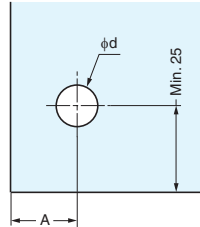


- Hinge for glass/acrylic doors.
- Square plate type GH34-8CR-K **1** also available

[Remarks]

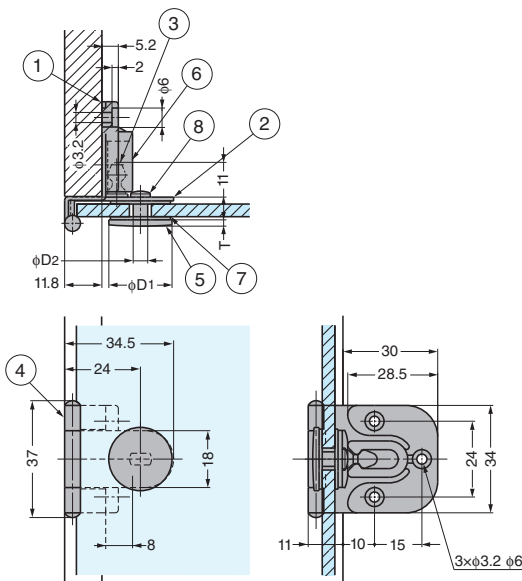
- Recommended for use in pairs.
- Use screw loosening prevention agent when mounting screws.
- Load capacity is the value when using two hinges. For calculation conditions, please refer to INDEX **2**.

[Cut Out Dimensions]



Boring position changes with the glass thickness.

Glass Thickness	A	Overlay
4	19	7
5	18	6
6	17	5



No.	Part Name	Material			
		GHC34-8G	GHC34-8B	GHC34-8CR	GHC34-8CR-W
①	Body	Steel	Stainless Steel (SUS304)	Steel	
②	Arm	Steel (SPCC)		Steel (SPCC)	
③	Striker	Brass	Stainless Steel (SUS303)	Brass	
④	Shaft	Steel (SWCH)	Stainless Steel (SUS304)	Steel	
⑤	Plate	Copper Alloy	Aluminium Alloy	Brass	Zinc Alloy
⑥	Catch		POM		
⑦	Washer		PVC		
⑧	Binding head screw	Brass		Steel	

No.	Part Name	Finish / Colour			
		GHC34-8G	GHC34-8B	GHC34-8CR	GHC34-8CR-W
①	Body	Gold, Clear	Black Enamel Finish	Chrome	
②	Arm				
③	Striker				
④	Shaft				
⑤	Plate	Polished, Clear	Black Anodised		
⑥	Catch	Black			Natural
⑦	Washer	Clear			
⑧	Binding head screw	Brass	Nickel		

RoHS	CAD	Item Code	Item Name	D ₁	D ₂	d	T	Door Width	Door Height	Glass Thickness	Load Capacity N/2 pcs	Load Capacity kgf/2 pcs	Weight (g)	Box (pcs)	Carton (pcs)
-	3D	170-083-524	GHC34-8G	20	6.5	8	2	Max. 450	Max. 700	4, 5, 6	39	4	36	40	600
-	3D	170-083-508	GHC34-8B	21	8	10	3				49	5	32	40	600
-	3D	170-083-523	GHC34-8CR	20	6.5	8	2	40	600						
-	3D	170-083-516	GHC34-8CR-W					40	600						

Refer to **1** : P.184, **2** : P.15

※ Load capacity has priority over glass size.

GLASS DOOR HINGES

SPECIAL HINGES

HINGES FOR ALUMINIUM FRAME

CLEAN ROOM HINGES

SPRING HINGES

PIANO HINGES

BUTT HINGES

CONCEALED HINGES

DETENT HINGES

LIFT ASSIST HINGES

DAMPER HINGES

TORQUE HINGES

TORQUE HINGES

DAMPER HINGES

LIFT ASSIST HINGES

DETENT HINGES

CONCEALED HINGES

BUTT HINGES

PIANO HINGES

STEP HINGES

LIFT-OFF HINGES

PIVOT HINGES

SPRING HINGES

CLEAN ROOM HINGES

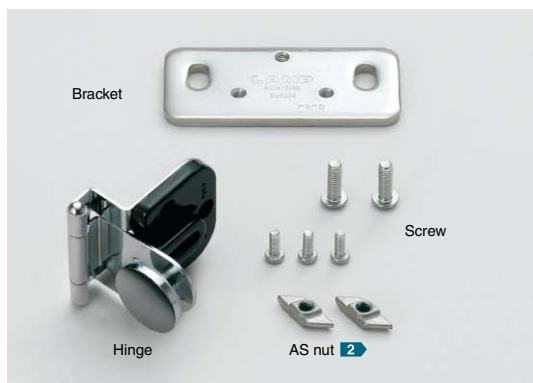
HINGES FOR ALUMINIUM FRAME

DROP HINGES

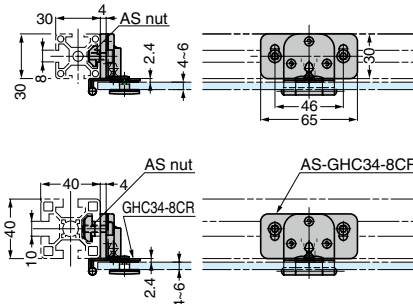
GLASS DOOR HINGES

SPECIAL HINGES

AS Parts Set for Installing to Aluminium Frame Please refer to the series introduction page 1 for details about AS series.



[Dimensions]

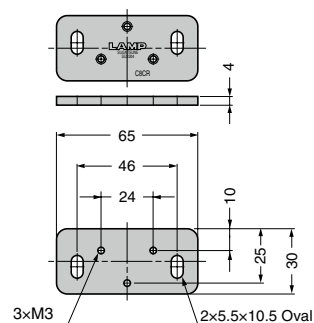


[AS Parts Set] Parts set of brackets, screws and AS nuts used for installing to aluminium frame

RtHS	CAD	Item Code	Item Name	Aluminium Frame	Parts (Hinges)	Parts (Others)	Weight (g)
-	3D	170-041-600	AS-GHC34-8B-30-6	Groove Width 6 mm	GHC34-8B : 1pc	AS Nut AS-6M4 : 2pcs	-
-	3D	170-041-592	AS-GHC34-8CR-30-6		GHC34-8CR : 1pc	Pan Head Screw M3 x 8 : 3pcs	-
-	3D	170-041-596	AS-GHC34-8CR-W-30-6		GHC34-8CR-W : 1pc	Bracket AS-GHC34-8CR : 1pc Hexagon Socket Button Head Screw M4 x 12 : 2pcs	-
-	3D	170-041-601	AS-GHC34-8B-30-8	Groove Width 8 mm	GHC34-8B : 1pc	AS Nut AS-8M4 : 2pcs	-
-	3D	170-041-593	AS-GHC34-8CR-30-8		GHC34-8CR : 1pc	Pan Head Screw M3 x 8 : 3pcs	-
-	3D	170-041-597	AS-GHC34-8CR-W-30-8		GHC34-8CR-W : 1pc	Bracket AS-GHC34-8CR : 1pc Hexagon Socket Button Head Screw M4 x 12 : 2pcs	-
-	3D	170-041-602	AS-GHC34-8B-40-8	Groove Width 8 mm	GHC34-8B : 1pc	AS Nut AS-8M5 : 2pcs	-
-	3D	170-041-594	AS-GHC34-8CR-40-8		GHC34-8CR : 1pc	Pan Head Screw M3 x 8 : 3pcs	-
-	3D	170-041-598	AS-GHC34-8CR-W-40-8		GHC34-8CR-W : 1pc	Bracket AS-GHC34-8CR : 1pc Hexagon Socket Button Head Screw M5 x 14 : 2pcs	-
-	3D	170-041-603	AS-GHC34-8B-40-10	Groove Width 10 mm	GHC34-8B : 1pc	AS Nut AS-10M5 : 2pcs	-
-	3D	170-041-595	AS-GHC34-8CR-40-10		GHC34-8CR : 1pc	Pan Head Screw M3 x 8 : 3pcs	-
-	3D	170-041-599	AS-GHC34-8CR-W-40-10		GHC34-8CR-W : 1pc	Bracket AS-GHC34-8CR : 1pc Hexagon Socket Button Head Screw M5 x 14 : 2pcs	-

Refer to 1 : FRONT P.20, 2 : P.706

AS BRACKET FOR GHC34-8 AS-GHC34-8CR



RtHS	CAD	Item Code	Item Name	Material	Finish	Weight (g)	Box (pcs)	Carton (pcs)
G	3D	170-080-023	AS-GHC34-8CR	Stainless Steel (SUS304)	Barrel Polished	54	50	500