

[How to Select Products]

Necessary Parts

In case of sheet metal door

In case of glass door



- Concealed hinge 1
- Mounting plate 2

- Face plate for glass door 3

Optional Parts

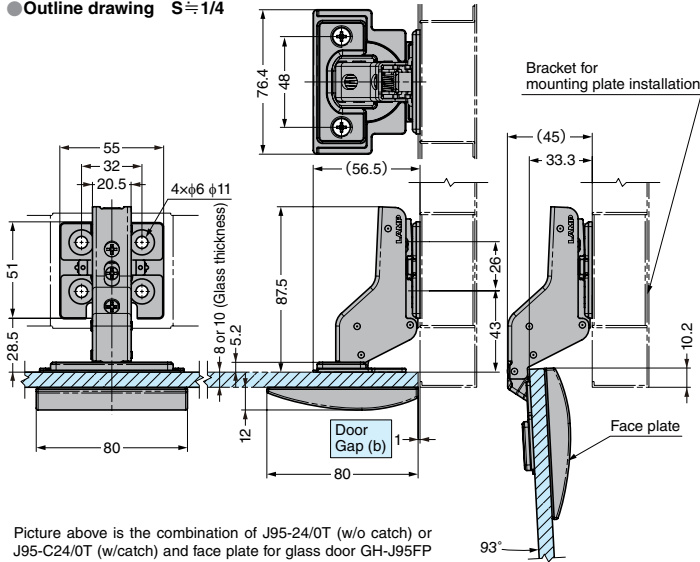


- Safety cover J95SC-0GR 4

- Cover for mounting plate 5

In case of glass door

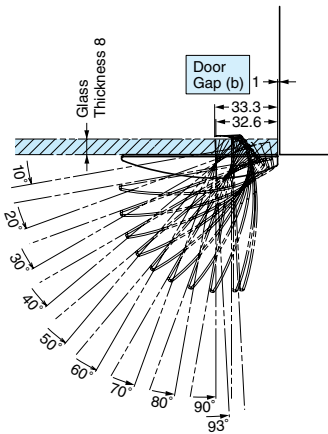
● Outline drawing S ≒ 1/4



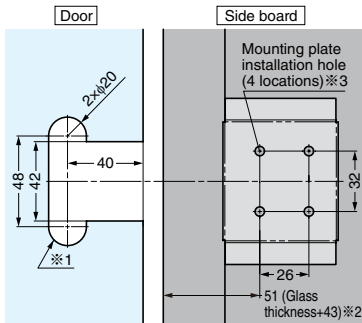
Picture above is the combination of J95-24/OT (w/o catch) or J95-C24/OT (w/catch) and face plate for glass door GH-J95FP (sold separately), mounting plate J95-P6T (sold separately).

● Locus chart S ≒ 1/4

(How to Use the Locus Chart 5)



● Cut out dimensions



- ※1: Use tempered glass. Scattering prevention film is recommended.
- ※2: The size is 53 when using 10mm thick glass door.
- ※3: Internal threads need to be made by welding nut or burring.

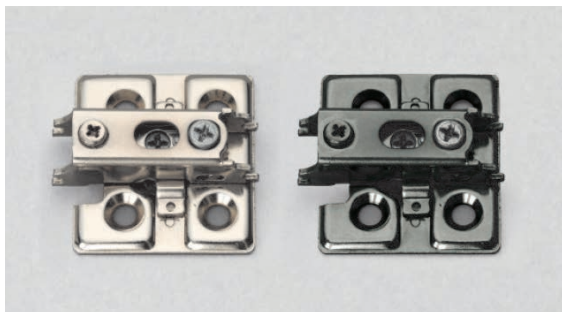
[Opening Clearance (O.C.)]

When using a concealed hinge, although door edge O.C.(A) and hinge side O.C.(B) are required, but for glass door, hinge side O.C.(B) is 0 (zero) because the door thickness (glass thickness) is much thinner than that of the wooden door. Besides, O.C.(A) is identical to Table-3 7.

[Door Dimensions and Number of Hinges] 8

Refer to 1 7 : P.106, 2 5 : P.108, 3 : P.110, 4 : P.109, 6 : P.111, 8 : P.100

MOUNTING PLATE J95-P6T For Heavy Duty Concealed Hinge J95



- Depth adjustment: +1.5, -2.5mm
- Vertical adjustment: ± 3 mm
- Overlay (horizontal) adjustment: +0, -4mm
- Value of H: Door thickness +42mm in use of INSET type.

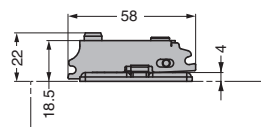
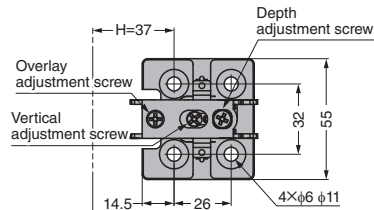
[Sold Separately]

- Cover for mounting plate J95ZC-GR [1](#)
- Raised countersunk head tapping screw 5 \times 18

[Recommended Screws]

- Size 5 countersunk head, or raised countersunk head tapping screw or wood screw.

[Screw] Sold Separately



[Mounting Plate]

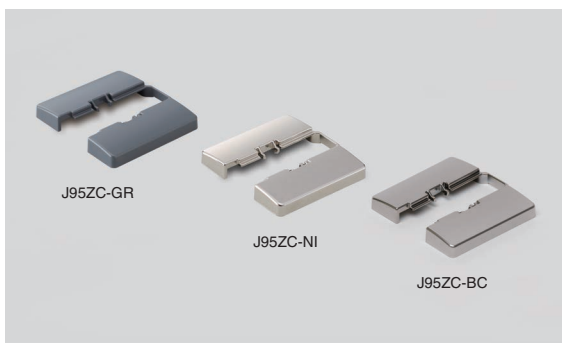
RhS	CAD	Item Code	Item Name	Material	Finish	Weight (g)	Box (pcs)
		160-026-732	J95-P6T	Steel/Zinc Alloy (ZDC)	Nickel	94	100
		160-034-927	J95-P6T BN		Black Nickel	94	100

[Screw] Sold Separately

RhS	CAD	Item Code	Item Name	Material	Finish	Weight (g)	Box (pcs)
	—	160-032-356	TAP518NI	Steel	Nickel	—	600
	—	160-043-496	TAP518BN		Black Nickel	—	600

Refer to [1](#) : P.108

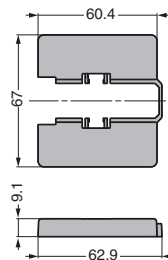
COVER FOR MOUNTING PLATE J95ZC For Heavy Duty Concealed Hinge J95 Series



- For hiding screw holes of mounting plate [1](#).
- Mounting plate adjustable horizontally, vertically and in depth even after installation.

[Remarks]

- Do not bend by force. Otherwise, it may be damaged.



[With Safety Cover and Mounting Plate Cover]



Picture above is for 25mm overlay.

RhS	CAD	Item Code	Item Name	Material	Finish	Weight (g)	Box (pcs)
		160-032-766	J95ZC-GR	ABS	Grey	9	500
	—	160-034-743	J95ZC-NI		Nickel	9	500
		160-044-252	J95ZC-BC		Black Chrome	9	500

Refer to [1](#) : P.108