

STAINLESS STEEL HEAVY-DUTY BUTT HINGE HG-LSC210

SUS



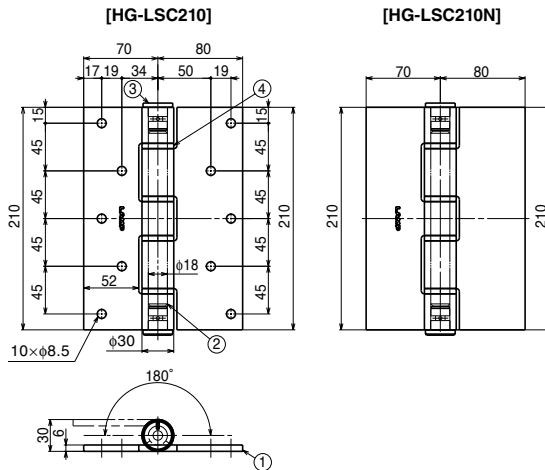
- 6mm thick stainless steel makes the hinge very strong.
- Made with special rings (oil-impregnated bearings) for smooth movement.
- Head caps hide shaft for clean appearance.

[Applications]

- Large doors, gate doors, and other heavy objects.

[Remarks]

- Be sure to read the "Cautions" 1.



No.	Part Name	Material	Finish
①	Body	Stainless Steel (SUS304)	Satin
②	Shaft		Plain
③	Head Cap		-
④	Ring		Plain

\*Open/close test is under the following conditions:  
 -Hinge: Using three hinges vertically  
 -Door size: W900 × H2000  
 -Door weight: 250kg

RoHS	CAD	Item Code	Item Name	Type	Load Capacity N / 2pcs	Load Capacity kgf / 2pcs	Weight (g)	Box (pc)	Carton (pcs)
☑	☑	170-043-696	HG-LSC210	With screw holes	1960	200	2275	1	6
☑	☑	170-043-697	HG-LSC210N	Without screw holes			2300	1	6

Refer to 1 : No.280 P.15