

Zwei L GLASS DOOR HINGE



ZL-1702



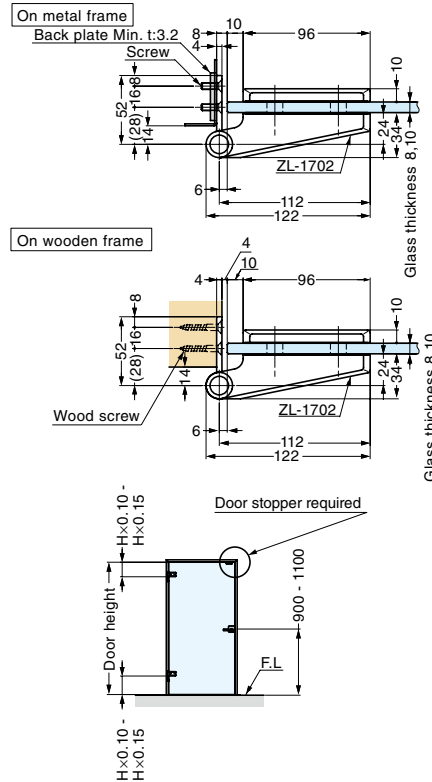
Features

- Made of highly corrosion resistant SUS316
- Ultrapremium Zwei L finish. Zwei L finish: Using top class polishing technology, these products combine the elegance of Satin with the deep glow of a Mirror.
- Used as a pair.

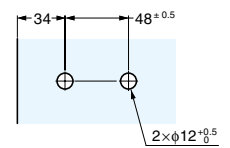
Parts Included

- Countersunk head screw 4.8x32
- Screw M5x16
- Allen key

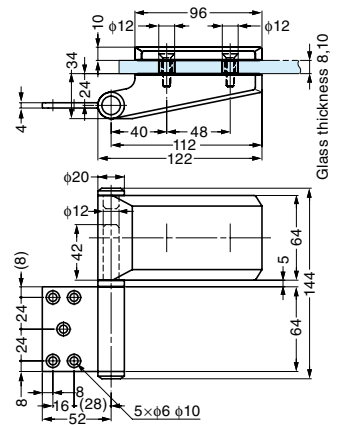
Installation



Cut Out Dimensions



Case latch ZL-1601 (P.716)



Lever handles ZL-1101, ZL-1102, ZL-1103 (P.714 - 715)

Item Code	Item Name	Material	Finish	Door Width	Door Height	Glass Thickness	Door Weight	Weight	Box
170-183-400	ZL-1702	Stainless Steel (SUS316)	Zwei L Finish	Max. 900	Max. 2500	8, 10	Max. 50 kg/2 pcs	806 g	2 pcs

