

GLASS DOOR GRAVITY HINGE



XL-GH05-120

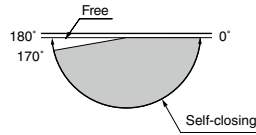
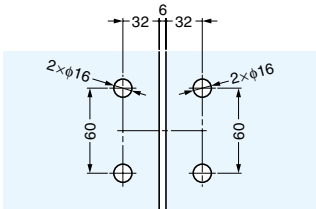


Back Side View



XL-GH05-120R

Cut Out Dimensions



Features

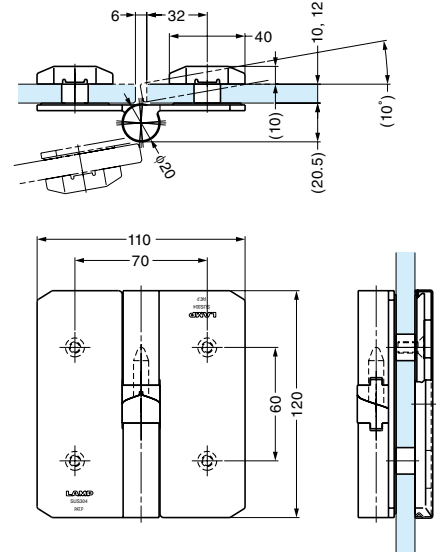
- Glass hinge made from stainless steel.
- Great solution for shower booths and other areas that come into contact with water.
- Successfully passed 100,000 open/close cycles in a private test.
- Within a radius of 170°, the hinge will automatically close the door.
- Door will stay in place past 170°.
- Door rises up to 5 mm at opening angle 90° and rises up to a maximum of 10 mm at 170°.

Remarks

Sold in pairs.

Parts Included

Hexagon socket countersunk head screw M6x14 (SUS)



Left-hand opening shown.

Item Code	Item Name	Type	Material	Finish	Door Width	Door Height	Glass Thickness	Door Weight	Weight	Box	Carton
170-016-523	XL-GH05-120R	Right	Stainless Steel (SUS304)	Mirror	Max. 750	Max. 2000	10, 12	Max. 45 kg/pair	1,624 g	1 pair	5 pairs
170-016-524	XL-GH05-120L	Left	Stainless Steel (SUS304)	Mirror	Max. 750	Max. 2000	10, 12	Max. 45 kg/pair	1,624 g	1 pair	5 pairs

GLASS DOOR GRAVITY HINGE



XL-GH05F-120

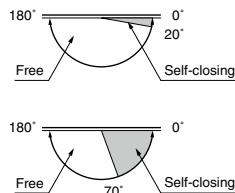
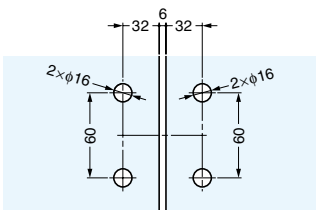


Back Side View



XL-GH05F-120R

Cut Out Dimensions



Features

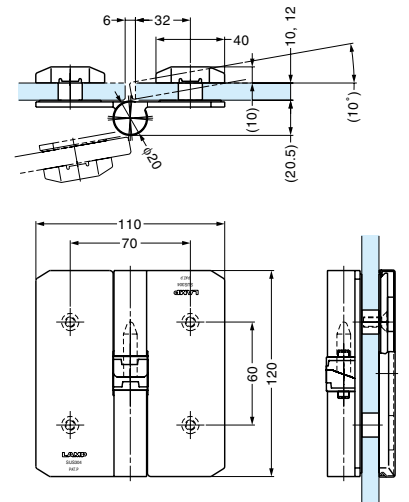
- Glass hinge made from stainless steel.
- Great solution for shower booths and other areas that come into contact with water.
- Successfully passed 100,000 open/close cycles in a private test.
- Automatically closing radius can be adjusted to either 20° or 70°.
- Door rises up to 1.5 mm at opening angle 20° and rises up to a maximum of 5 mm at 70°.

Remarks

Sold in pairs.

Parts Included

Hexagon socket countersunk head screw M6x14 (SUS)



Left-hand opening shown.

Item Code	Item Name	Type	Material	Finish	Door Width	Door Height	Glass Thickness	Door Weight	Weight	Box	Carton
170-021-705	XL-GH05F-120R	Right	Stainless Steel (SUS304)	Mirror	Max. 750	Max. 2000	10, 12	Max. 45 kg/pair	-	1 pair	5 pairs
170-021-704	XL-GH05F-120L	Left	Stainless Steel (SUS304)	Mirror	Max. 750	Max. 2000	10, 12	Max. 45 kg/pair	-	1 pair	5 pairs