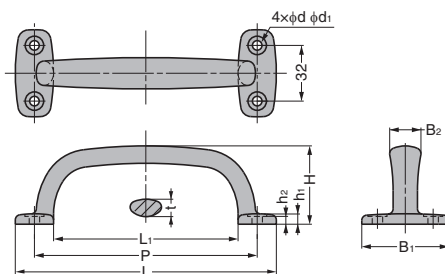


STAINLESS STEEL HANDLE 4LC

NSF SUS316



- Titanium handle is available as a special order.

[Remarks]

- Recommended screws given in the table below not included.

[Parts Included]

- 4LC-82, 4LC-114: Pan head tapping screw (SUS) 4×20
- 4LC-150, 4LC-180: Pan head tapping screw (SUS) 5×30

LARGE HANDLES

HANDLES (FRONT SCREW MOUNT)

HANDLES (BACK SCREW MOUNT)

RECESSED PULLS

PULLS & KNOBS

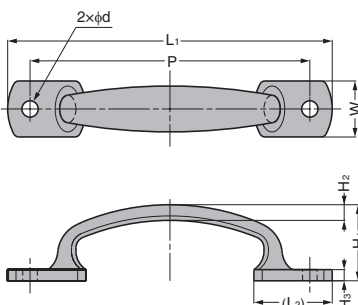
LATCH HANDLES

| RoHS | CAD | Item Code | Item Name | Material | Finish | L | L ₁ | P | B ₁ | B ₂ | H | h ₁ | h ₂ | t | d | d ₁ | Weight (g) | Recommended Screw | Box (pcs) | Carton (pcs) |
|------|-----|-------------|-----------|-------------------------|----------|-----|----------------|-----|----------------|----------------|------|----------------|----------------|-----|----|----------------|------------|-------------------|-----------|--------------|
| ✓ | SD | 100-010-135 | 4LC-82 | Stainless Steel (SCS14) | Polished | 82 | 46 | 64 | 48 | 16 | 36.5 | 5.5 | 4 | 8 | 5 | 9.5 | 110 | M4 | 8 | 96 |
| ✓ | SD | 100-010-136 | 4LC-114 | | | 114 | 78 | 96 | 18 | 40 | 6 | 4.5 | 9 | 148 | | | | | | |
| ✓ | SD | 100-010-137 | 4LC-150 | | | 150 | 106 | 128 | 50 | 18 | 45 | 10 | 6 | 210 | M5 | 3 | 36 | | | |
| ✓ | SD | 100-010-138 | 4LC-180 | | | 180 | 140 | 160 | 20 | 48 | 6.5 | 5 | 11 | 270 | | 2 | 24 | | | |

※SCS14 is equivalent of SUS316.

STAINLESS STEEL HANDLE 3LC

SUS316



[Applications]

- Indoor and outdoor medium sized doors.

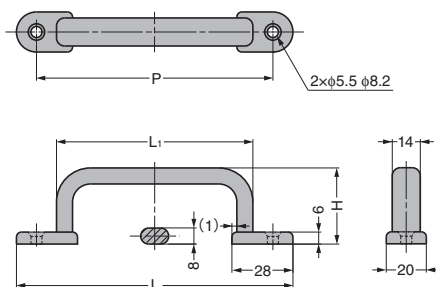
| RoHS | CAD | Item Code | Item Name | Material | Finish | L ₁ | L ₂ | W | H ₁ | H ₂ | H ₃ | P | d | Weight (g) | Box (pcs) | Carton (pcs) |
|------|-----|-------------|-----------|-------------------------|----------|----------------|----------------|----|----------------|----------------|----------------|-----|-----|------------|-----------|--------------|
| ✓ | SD | 100-019-846 | 3LC-120 | Stainless Steel (SCS14) | Polished | 120 | 29 | 20 | 30 | 6 | 5 | 105 | 5.5 | 90 | 100 | — |
| ✓ | SD | 100-019-845 | 3LC-130 | Stainless Steel (SCS13) | | 130 | 30 | 22 | 33 | 7 | 6 | 115 | 120 | — | — | |
| ✓ | SD | 100-019-747 | 3LC-145 | Stainless Steel (SCS14) | | 145 | 35 | 25 | 34 | 6 | 6 | 125 | 6.5 | 155 | 150 | — |

※SCS14 is equivalent of SUS316.

※SCS13 is equivalent of SUS304.

STAINLESS STEEL HANDLE EC-Y

SUS



[Parts Included]

- Raised countersunk head tapping screw 4×20 (SUS)

| RoHS | CAD | Item Code | Item Name | Material | Finish | L | L ₁ | H | P | Weight (g) | Box (pcs) | Carton (pcs) |
|------|-----|-------------|-----------|--------------------------|----------|-----|----------------|----|-----|------------|-----------|--------------|
| ✓ | SD | 100-012-831 | EC-Y-140 | Stainless Steel (SUS303) | Polished | 138 | 100 | 38 | 120 | 142 | 5 | 100 |
| ✓ | SD | 100-012-832 | EC-Y-160 | | | 158 | 120 | 40 | 140 | 160 | 3 | 51 |
| ✓ | SD | 100-012-833 | EC-Y-190 | | | 188 | 150 | 42 | 170 | 185 | 2 | 50 |