

HANDLE (STAINLESS, TITANIUM)



2LC

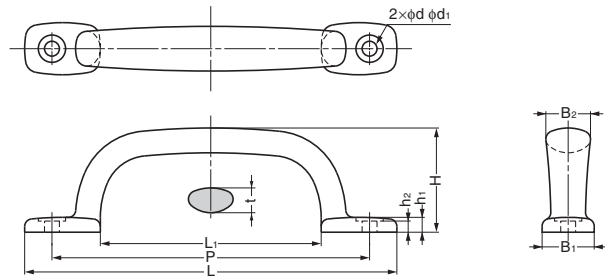


Features

- Wide design for easy gripping
- Available in both titanium (light, strong and corrosion resistant) and SUS316 equivalent (highly corrosion resistant) SCS314
- Titanium rarely causes allergies even in people with metal allergies.
- Due to titanium's non-magnetic properties, can be used even on devices like MRIs Titanium screws also available

Parts Included (For only stainless handle)

Pan head tapping screw (SUS)



RoHS	CAD	Item Code	Item Name	Material	Finish	L	L ₁	P	B ₁	B ₂	H	h ₁	h ₂	t	d	d ₁	Included Screws	Recommended Screws	Weight	Box
-	2C3D	100-010-355	2LC- 80TI	Titanium	Shot Blast	80	32	64	16	14	35	5.5	4	8	5	9.5	-	M4	37 g	30 pcs
-	2C3D	100-010-354	2LC-120TI	Titanium	Shot Blast	120	64	96	18	16	36	5.5	4.5	9	5	9.5	-	M4	62 g	20 pcs
-	2C3D	100-010-353	2LC-150TI	Titanium	Shot Blast	150	89	128	21	18	42	6	4.5	10	6	11	-	M5	96 g	6 pcs
✓	2C3D	100-010-131	2LC- 80	Stainless Steel (SCS14)	Mirror	80	32	64	16	14	35	5.5	4	8	5	9.5	4x20	M4	70 g	12 pcs
✓	2C3D	100-010-132	2LC-120	Stainless Steel (SCS14)	Mirror	120	64	96	18	16	36	5.5	4.5	9	5	9.5	4x20	M4	106 g	8 pcs
✓	2C3D	100-010-133	2LC-150	Stainless Steel (SCS14)	Mirror	150	89	128	21	18	42	6	4.5	10	6	11	5x30	M5	172 g	6 pcs
✓	2C3D	100-010-134	2LC-180	Stainless Steel (SCS14)	Mirror	180	118	160	23	20	45	6.5	5	10	6	11	5x30	M5	225 g	3 pcs

*SCS14 is equivalent of SUS316.

STAINLESS STEEL HANDLE



4LC

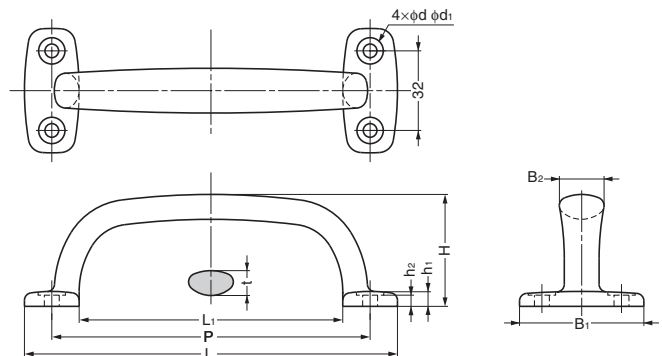


Features

Titanium handle is available as a special order.

Parts Included

Pan head tapping screw (SUS)



Item Code	Item Name	Material	Finish	L	L ₁	P	B ₁	B ₂	H	h ₁	h ₂	t	d	d ₁	Screw	Weight	Box
100-010-135	4LC- 82	Stainless Steel (SCS14)	Mirror	82	46	64	48	16	36.5	5.5	4	8	5	9.5	4x20	110 g	8 pcs
100-010-136	4LC-114	Stainless Steel (SCS14)	Mirror	114	78	96	48	16	40	6	4.5	9	5	9.5	4x20	148 g	6 pcs
100-010-137	4LC-150	Stainless Steel (SCS14)	Mirror	150	106	128	50	18	45	6	4.5	10	6	11	5x32	235 g	3 pcs
100-010-138	4LC-180	Stainless Steel (SCS14)	Mirror	180	140	160	50	20	48	6.5	5	10	6	11	5x32	286 g	2 pcs

*SCS14 is equivalent of SUS316.