

## STAINLESS STEEL HANDLE



MG

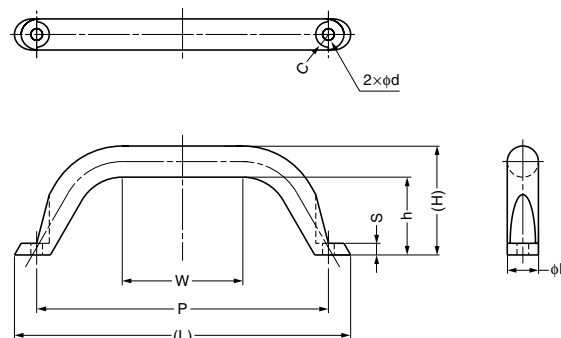


### Features

- SEMI compliant (SEMI S8-0701)
- Very strong handle, passed a 1960N (200kgf) load capacity test
- High profile and wide design allow for easy gripping even while wearing protective gloves. Recommended for use on work cabinets
- Compatible with truss screw heads.

### Recommended Screw

Truss head screw



Item Code	Item Name	Material	Finish	L	H	P	D	W	h	S	C	d	Recommended Screw	Weight	Box	Carton
100-010-483	MG-150	Stainless Steel (SUS316)	Mirror	172.8	56	150	16	62	40	6	R6.5	6	M5	314 g	10 pcs	40 pcs
100-010-484	MG-190	Stainless Steel (SUS316)	Mirror	216.7	63	190	18	92	45	8	R7.5	7	M6	470 g	5 pcs	20 pcs
100-010-485	MG-250	Stainless Steel (SUS316)	Mirror	275.5	68	250	18	145	50	8	R7.5	7	M6	607 g	5 pcs	20 pcs
100-021-952	MG-230T	Stainless Steel (SUS316)	Mirror	260	70	230	20	129	50	10	R9	9	M8	678 g	5 pcs	20 pcs
100-021-953	MG-300T	Stainless Steel (SUS316)	Mirror	330	70	300	20	199	50	10	R9	9	M8	859 g	5 pcs	20 pcs

## STAINLESS STEEL HANDLE



US

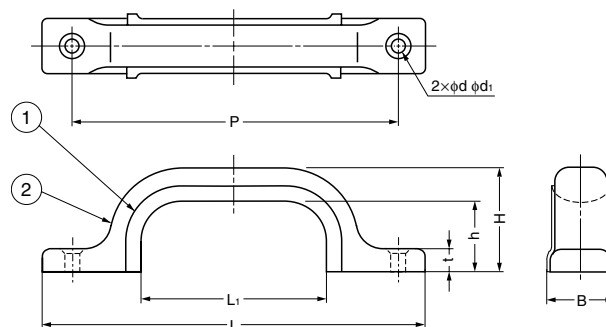


### Features

- Rubber grip allows for an easy and comfortable grip.
- Light weight design.

### Parts Included

Raised countersunk head wood screw (SUS)



No.	Material	Finish/Colour
①	Elastomer (TPE)	Black
②	Stainless Steel (SUS304)	Mirror and Satin Combination

Item Code	Item Name	Finish	L	L <sub>1</sub>	P	B	H	h	t	d	d <sub>1</sub>	Screw	Weight	Box	Carton
100-012-243	US- 70S	Satin	70	20	54	17	28	21	5.5	3.3	6.6	3.1×16	20 g	20 pcs	200 pcs
100-012-240	US- 70M	Mirror	70	20	54	17	28	21	5.5	3.3	6.6	3.1×16	20 g	20 pcs	200 pcs
100-012-244	US-120S	Satin	120	57	102	19	32	21	6.5	3.8	7.6	3.5×20	45 g	20 pcs	200 pcs
100-012-241	US-120M	Mirror	120	57	102	19	32	21	6.5	3.8	7.6	3.5×20	45 g	20 pcs	200 pcs
100-012-245	US-160S	Satin	160	88	140	22	37.5	23	7.5	4.1	8.1	4.1×25	70 g	10 pcs	100 pcs
100-012-242	US-160M	Mirror	160	88	140	22	37.5	23	7.5	4.1	8.1	4.1×25	70 g	10 pcs	100 pcs