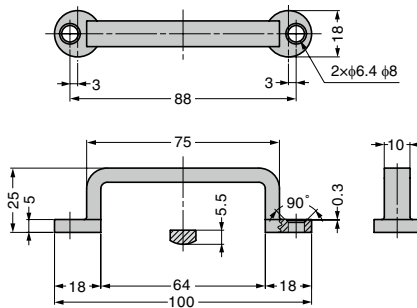


STAINLESS STEEL HANDLE FT-100-6.4

SUS



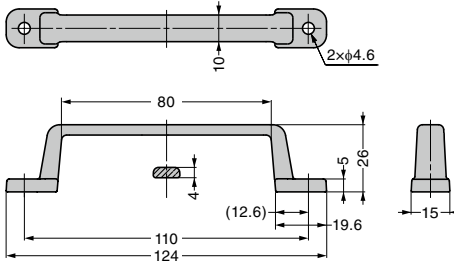
● Wider mounting hole relative to conventional FT handle.

RoHS	CAD	Item Code	Item Name	Material	Finish	Weight (g)	Box (pcs)	Carton (pcs)
CE	SD	100-019-167	FT-100-6.4	Stainless Steel (SCS13)	Polished	54	20	200

※SCS13 is equivalent of SUS304.

STAINLESS STEEL HANDLE FT-110S

SUS



[Recommended Screws]

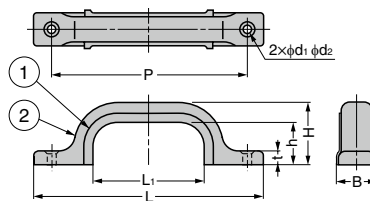
● M4 screw

RoHS	CAD	Item Code	Item Name	Material	Finish	Weight (g)	Box (pcs)	Carton (pcs)
CE	SD	100-019-029	FT-110S	Stainless Steel (SCS13)	Satin	60	50	200

※SCS13 is equivalent of SUS304.

STAINLESS STEEL HANDLE US

NSF SUS



- Rubber grip allows for an easy and comfortable grip.
- Stainless steel (SUS304) is used for the surface part of the handle.
- Knob type HS 1 also available.

[Parts Included]

● Raised countersunk head wood screw (SUS)

No.	Part Name	Material	Finish / Colour
①	Pad	Elastomer (TPE)	Black
②	Frame	Stainless Steel (SUS304)	Satin and Polished Combination

RoHS	CAD	Item Code	Item Name	Finish	L	L ₁	P	B	H	h	t	d ₁	d ₂	Weight (g)	Screw	Box (pcs)	Carton (pcs)					
CE	SD	100-012-243	US-70S	Satin	70	20	54	17	28	21	5.5	3.3	6.6	20	3.1 × 16	20	200					
CE	SD	100-012-240	US-70M	Polished	120	57	102	19	32							6.5	3.8	7.6	45	3.5 × 20	20	200
CE	SD	100-012-244	US-120S	Satin																	20	200
CE	SD	100-012-241	US-120M	Polished	160	88	140	22	37.5	23	7.5	4.1	8.1	70	4.1 × 25	10	100					
CE	SD	100-012-245	US-160S	Satin												10	100					
CE	SD	100-012-242	US-160M	Polished	10	100																

Refer to 1 : P524