

LARGE HANDLES

HANDLES (FRONT SCREW MOUNT)

HANDLES (BACK SCREW MOUNT)

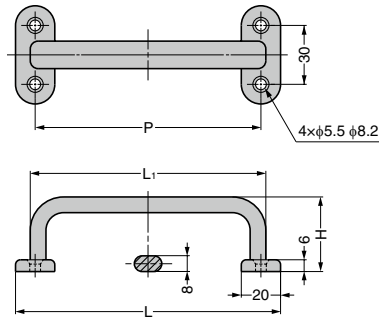
RECESSED PULLS

PULLS &amp; KNOBS

LATCH HANDLES

## STAINLESS STEEL HANDLE EC-H

SUS



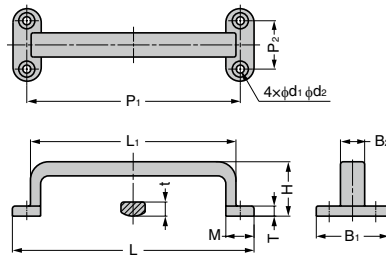
## [Parts Included]

- Raised countersunk head tapping screw 4 × 20 (SUS)

RoHS	CAD	Item Code	Item Name	Material	Finish	L	L <sub>1</sub>	H	P	Weight (g)	Box (pcs)	Carton (pcs)
CE	3D	100-010-056	EC-H-135	Stainless Steel (SUS303)	Polished	135	120	40	115	191	5	50
CE	3D	100-010-057	EC-H-165			165	150	42	145	216	3	48

## STAINLESS STEEL HANDLE FT Double-hole Type

NSF SUS



## [Parts Included]

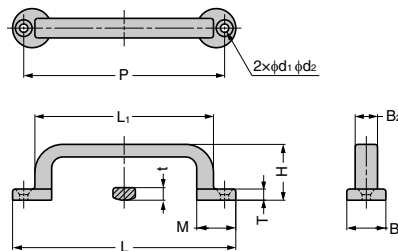
- FT-120: Raised countersunk head wood screw (SUS) 3.8 × 20
- FT-150: Raised countersunk head wood screw (SUS) 5.1 × 25

RoHS	CAD	Item Code	Item Name	Material	Finish	L	L <sub>1</sub>	B <sub>1</sub>	B <sub>2</sub>	H	T	M	P <sub>1</sub>	P <sub>2</sub>	d <sub>1</sub>	d <sub>2</sub>	Weight (g)	Box (pcs)	Carton (pcs)	
CE	3D	100-010-067	FT-120	Stainless Steel (SCS13)	Polished	120	102	36	12	27	5	7	14	106	24	4.1	8	105	10	120
CE	3D	100-010-068	FT-150			150	129	45	15	33	6	8	18	132	30	5.3	10.4	191	5	40

※SCS13 is equivalent of SUS304.

## STAINLESS STEEL HANDLE FT Single-hole Type

NSF SUS



## [Parts Included]

- FT-65, FT-80: Raised countersunk head wood screw (SUS) 3.1 × 16
- FT-100: Raised countersunk head wood screw (SUS) 3.8 × 20

RoHS	CAD	Item Code	Item Name	Material	Finish	L	L <sub>1</sub>	B <sub>1</sub>	B <sub>2</sub>	H	T	t	M	P	d <sub>1</sub>	d <sub>2</sub>	Weight (g)	Box (pcs)	Carton (pcs)
CE	3D	100-012-847	FT-65	Stainless Steel (SCS13)	Polished	65	47	13	7	16	3.5	4	13	57	3.3	6.4	19	40	480
CE	3D	100-012-848	FT-80			80	61	14	8	20	4	4.5	14	72	32	30	360		
CE	3D	100-012-849	FT-100			100	75	18	10	25	5	5.5	18	88	4.1	8	58	20	240

※SCS13 is equivalent of SUS304.