

HANDLE CJH

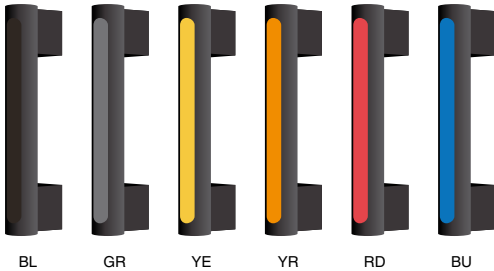
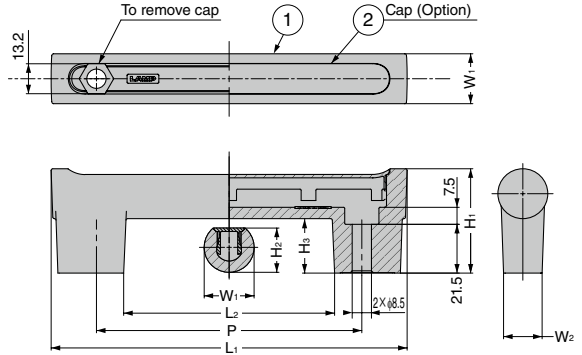


CJH-117/CJHC-117GR

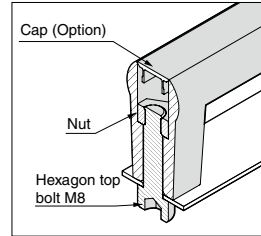
- Long colour cap facilitates intuitive operation.
- The cover colours are used for indicating dangerous regions and different work areas.
- Handle can be fixed from either the front or back with screws.

[Applications]

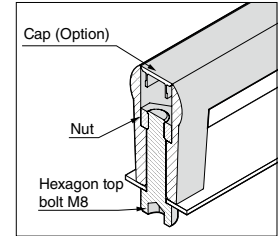
- Maintenance doors, etc.



[Fix from surface]



[Fix from back side]



No.	Part Name	Material
①	Body	Reinforced nylon
②	Cap	PA

[Body]

RHS	CAD	Item Code	Item Name	Material	L ₁	L ₂	W ₁	W ₂	H ₁	H ₂	H ₃	P	Load Capacity N	Load Capacity kgf	Weight (g)	Box (pcs)	Carton (pcs)
☑	☑	100-036-974	CJH-117BL	Reinforced	157	93	22	17	46	19.5	24	117	-	-	67	-	-
☑	☑	100-036-975	CJH-150BL	nylon	190	125.5	24	18.5	52	21.4	28	150	-	-	91	-	-

[Cap] Sold Separately

RHS	CAD	Item Code	Item Name	Material	Colour	Weight (g)	Box (pcs)	Carton (pcs)
☑	☑	100-036-976	CJHC-117BL	PA	Black	4	-	-
☑	☑	100-036-977	CJHC-117GR		Grey		-	-
☑	☑	100-036-978	CJHC-117YE		Yellow		-	-
☑	☑	100-036-979	CJHC-117YR		Orange		-	-
☑	☑	100-036-980	CJHC-117RD		Red		-	-
☑	☑	100-036-981	CJHC-117BU		Blue		-	-
☑	☑	100-036-982	CJHC-150BL		Black	6	-	-
☑	☑	100-036-983	CJHC-150GR		Grey		-	-
☑	☑	100-036-984	CJHC-150YE		Yellow		-	-
☑	☑	100-036-985	CJHC-150YR		Orange		-	-
☑	☑	100-036-986	CJHC-150RD		Red		-	-
☑	☑	100-036-987	CJHC-150BU		Blue		-	-