

STAINLESS STEEL SLIDING DOOR HANDLE



DSI-4251

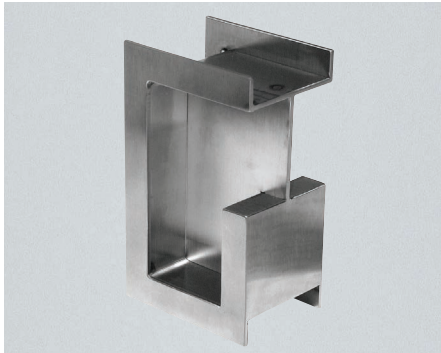


DSI-3250

STAINLESS STEEL SLIDING DOOR HANDLE

STAINLESS
304
STEEL

DSI-4253

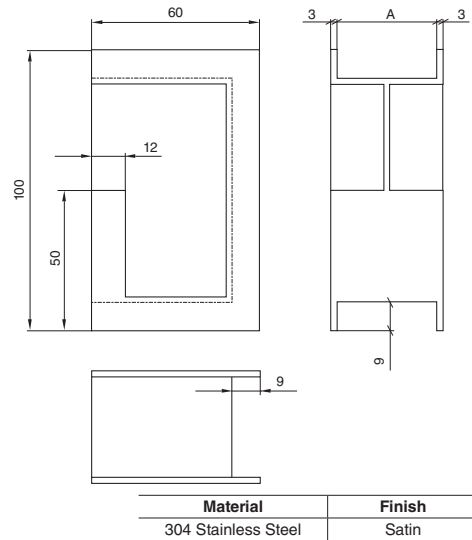


Features

- Contemporary handle design that can be accessed from door front, back, or edge.
- Requires adhesive for installation. (Such as 2-part epoxy, not supplied.)

Remarks

- Made to order.
- Minimum quantity 20 pieces.



Item Code	Item Name	A	Weight	Box	Carton
-	DSI-4253-35	35	495 g	1 pc	10 pcs
-	DSI-4253-38	38	506 g		
-	DSI-4253-40	40	515 g		
-	DSI-4253-43	43	530 g		
-	DSI-4253-45	44.5	545 g		

STAINLESS STEEL SLIDING DOOR HANDLE

STAINLESS
304
STEEL

DSI-3250

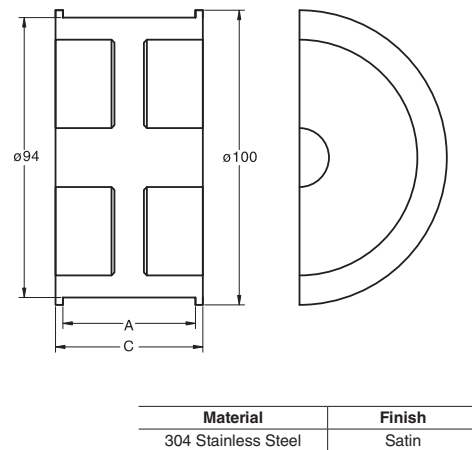


Features

- Contemporary handle design that can be accessed from door front, back, or edge.
- Requires adhesive for installation. (Such as 2-part epoxy, not supplied.)

Remarks

- Made to order.
- Minimum quantity 20 pieces.



Item Code	Item Name	C	A	Weight	Box	Carton
-	DSI-3250-12	16	12	280 g	1 pc	10 pcs
-	DSI-3250-35	39	35	440 g		
-	DSI-3250-45	49	45	550 g		
-	DSI-3250-50	54	50	670 g		