

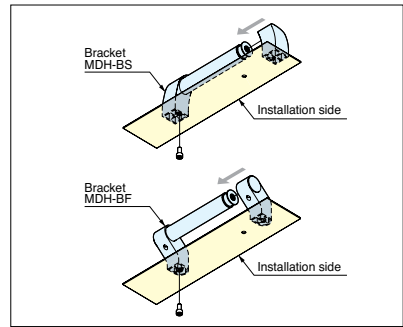
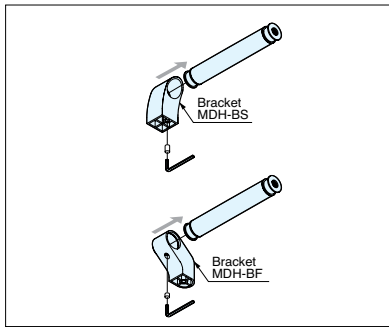
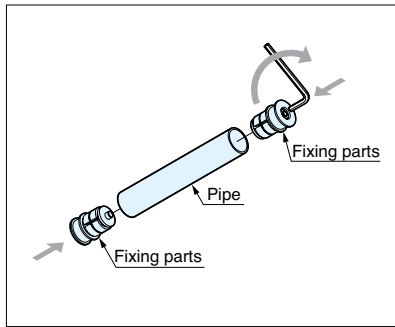
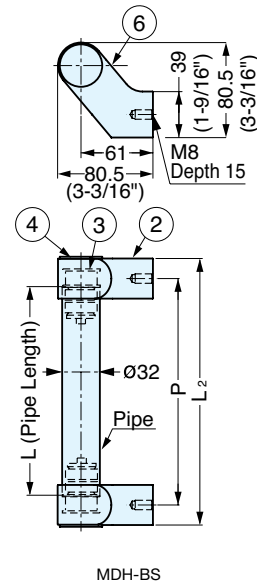
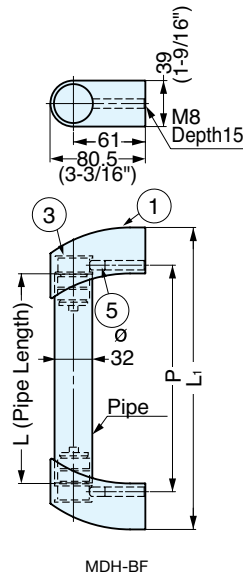
LARGE HANDLE



MDH



- Flexible design options by selecting pipe & bracket parts separately.
- Pipe can be cut to desired length.
- CFRP material is coated using a special light weight UV Beam.



Item No.	Parts	Weight (g)
MDH-BS	Bracket (Straight)	1010
MDH-BF	Bracket (Off-set)	1122

No.	Part Name	Material	Finish/Color
①	Bracket (Straight)	Zinc Alloy	Matte Chrome
②	Bracket (Offset)		
③	Fixing Parts		
④	Cover	Polycetal	Black
⑤	HEX set screw M8x15	Stainless Steel	
⑥	HEX set screw M8x8		

Item No.	Material	Finish	L (Pipe Length)	L ₁	L ₂	P	Weight (g)
MDH-PS192	304 Stainless Steel	Satin	177 (6-31/32")	256	226	192 (7-9/16")	384
MDH-PS350			335 (13-3/16")	414	384	350 (13-25/32")	727
MDH-PS500			485 (19-3/32")	564	534	500 (19-11/32")	1050
MDH-PS800			785 (30-29/32")	864	834	800 (31-1/2")	1700
MDH-PS1200			1185 (46-21/32")	1264	1234	1200 (47-1/4")	2570
MDH-PC192	Carbon Fiber Reinforced Polymer (CFRP)	Black	177 (6-31/32")	256	226	192 (7-9/16")	70
MDH-PC350			335 (13-3/16")	414	384	350 (13-25/32")	132
MDH-PC500			485 (19-3/32")	564	534	500 (19-11/32")	191
MDH-PC800			785 (30-29/32")	864	834	800 (31-1/2")	309
MDH-PC1200			1185 (46-21/32")	1264	1234	1200 (47-1/4")	467