

# STAINLESS STEEL HANDLE

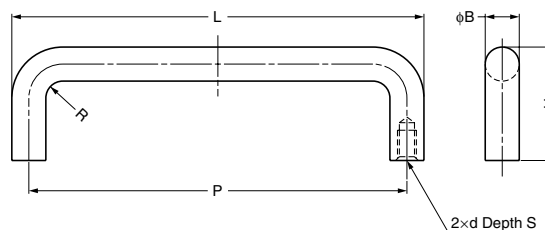
STAINLESS 304 STEEL

## H-42-C



### Features

H-42-C-2, H-42-C-4, H-42-C-15 are also available in the same size in Titanium.  
(H-42-C-2 has slightly different L and B sizes)



Item Code	Item Name	Material	Finish	L	H	B	P	R	d	S	Weight	Box	Carton
100-010-560	H-42-C- 8	Stainless Steel (SUS304)	Mirror	66	22	6	60	3	M4	7	18 g	100 pcs	500 pcs
100-010-562	H-42-C-14	Stainless Steel (SUS304)	Mirror	86	30	6	80	3	M4	7	25 g	50 pcs	250 pcs
100-010-561	H-42-C- 1	Stainless Steel (SUS304)	Mirror	75	30	7	68	3.5	M5	8	30 g	50 pcs	250 pcs
100-010-563	H-42-C- 2	Stainless Steel (SUS304)	Mirror	109	30	9	100	4.5	M5	8	65 g	50 pcs	150 pcs
100-010-564	H-42-C- 3	Stainless Steel (SUS304)	Mirror	120	40	10	110	5	M6	8	100 g	50 pcs	150 pcs
100-010-565	H-42-C- 4	Stainless Steel (SUS304)	Mirror	130	40	10	120	5	M6	8	105 g	50 pcs	150 pcs
100-010-566	H-42-C-15	Stainless Steel (SUS304)	Mirror	162	50	12	150	6	M8	10	185 g	30 pcs	60 pcs
100-010-567	H-42-C- 5	Stainless Steel (SUS304)	Mirror	200	50	12	188	6	M8	10	220 g	30 pcs	60 pcs
100-010-568	H-42-C- 6	Stainless Steel (SUS304)	Mirror	250	50	12	238	6	M8	10	265 g	20 pcs	40 pcs
100-010-569	H-42-C- 7	Stainless Steel (SUS304)	Mirror	300	50	12	288	6	M8	10	300 g	20 pcs	40 pcs

# HANDLE

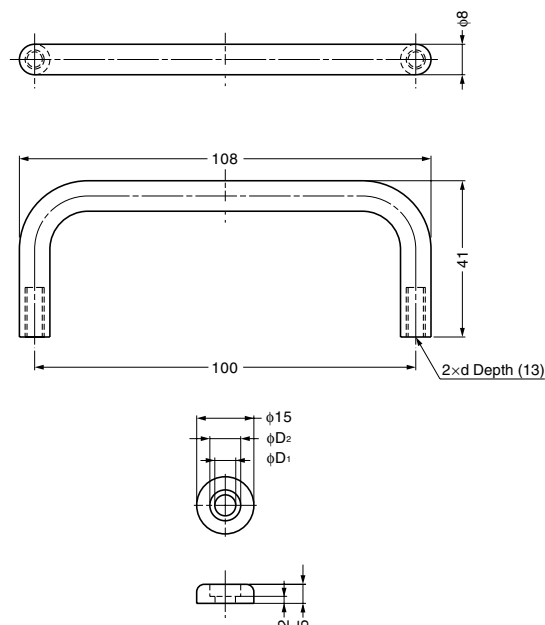
STAINLESS 304 STEEL

## T-100-8



### Features

Handle's design is tall, makes it easy to grip even when wearing gloves.



Item Code	Item Name	Material	Finish	d	D <sub>1</sub>	D <sub>2</sub>	Weight	Box	Carton
100-010-224	T-100-8S	Stainless Steel (SUS304)	Mirror	M5	5.5	8.2	72 g	10 pcs	300 pcs
100-019-855	T-100-8CR	Brass	Chrome	M4	4.5	8	78 g	50 pcs	-

HANDLES, PULLS & KNOBS  
STAINLESS STEEL HANDLE / HANDLE