

STAINLESS STEEL HANDLE

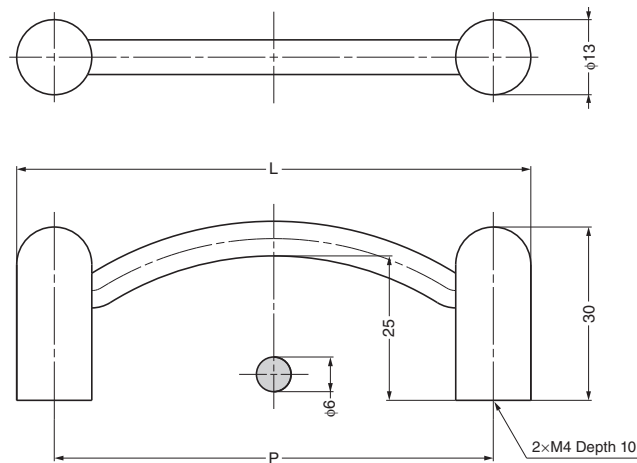


LX



Parts Included

Truss head screw M4x25 (SUS)



Item Code	Item Name	Material	Finish	L	P	Weight	Box	Carton
100-010-425	LX- 90M	Stainless Steel (SUS304)	Mirror	89	76	75 g	10 pcs	160 pcs
100-010-426	LX-110M	Stainless Steel (SUS304)	Mirror	109	96	80 g	10 pcs	160 pcs

*The item will be discontinued after current stock is sold out.

STAINLESS STEEL HANDLE



XL-CU

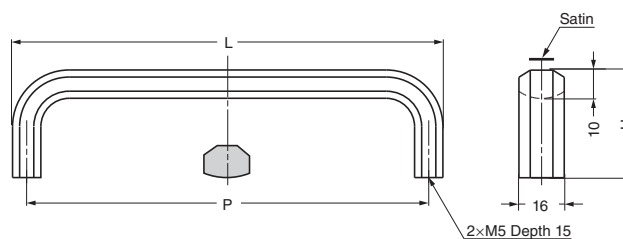


Features

Exquisite combination of satin and mirror finishes

Parts Included

Truss head screw M5x30 (SUS)



Item Code	Item Name	Material	Finish	L	H	P	Weight	Box	Carton
100-010-470	XL-CU 80TT	Stainless Steel (SUS303)	Mirror and Satin Combination	82	32	72	125 g	10 pcs	100 pcs
100-010-471	XL-CU100TT	Stainless Steel (SUS303)	Mirror and Satin Combination	102	34	92	151 g	10 pcs	100 pcs
100-010-472	XL-CU120TT	Stainless Steel (SUS303)	Mirror and Satin Combination	122	36	112	178 g	10 pcs	100 pcs
100-010-473	XL-CU150TT	Stainless Steel (SUS303)	Mirror and Satin Combination	152	38	142	215 g	8 pcs	80 pcs
100-010-474	XL-CU180TT	Stainless Steel (SUS303)	Mirror and Satin Combination	182	40	172	286 g	8 pcs	80 pcs
100-010-475	XL-CU220TT	Stainless Steel (SUS303)	Mirror and Satin Combination	222	42	212	309 g	8 pcs	40 pcs
100-010-476	XL-CU300TT	Stainless Steel (SUS303)	Mirror and Satin Combination	302	44	292	392 g	6 pcs	30 pcs

HANDLES,
PULLS & KNOBS

STAINLESS STEEL HANDLE