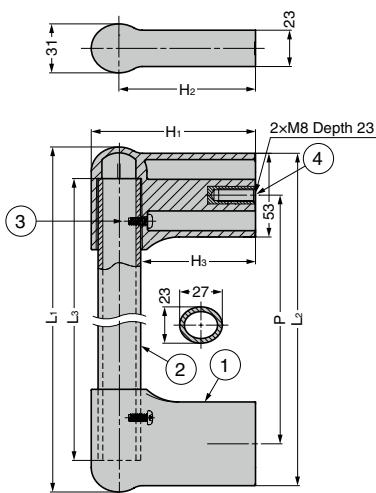


ALUMINIUM PIPE HANDLE MTH

LOAD CAPACITY 500 N **TEST METHOD** 1



- Position of bracket (MTH-T) is higher than common handles, suitable for inset sliding door of machine tool.
- MTH-L with the same height as common handles for total coordination with handle of machine tool.
- Pipe and bracket are connected with screws, preventing pipe loosening and idling.
- Elliptical pipe shape allows for easy gripping and sliding.

[Applications]

- Machine tools and large doors, etc.

[Remarks]

- For single-sided mount. Cannot be used for double-sided mount.

[Recommended Screws]

- M8 screw



No.	Part Name	Material	Finish / Colour
①	Bracket	Glass Filled Polyamide	Black
②	Pipe	Aluminium Alloy	Anodised Silver
③	Countersunk head tapping screw 5×12	Steel	Coloured Zinc Chromate (Trivalent)
④	Nut	Brass	Plain

RoHS	CAD	Item Code	Item Name	L1	L2	L3	P	H1	H2	H3	Load Capacity N	Load Capacity kgf	Weight (g)	Box (pcs)	Carton (pcs)
-	3D	100-032-610	MTH-L300	360	352	320	300	74	56.5	43	500	51	360	1	15
-	3D	100-032-611	MTH-L450	510	502	470	450						445	1	15
-	3D	100-032-612	MTH-L600	660	652	620	600						530	1	15
-	3D	100-032-613	MTH-T300	360	352	320	300	430	1	15					
-	3D	100-032-614	MTH-T450	510	502	470	450	515	1	15					
-	3D	100-032-615	MTH-T600	660	652	620	600	600	1	15					

ALUMINIUM PIPE HANDLE APH



- Possible to fix with screws from the front.
- 4 lengths of pipes are available. By cutting the pipe, the handle length can be changed freely.
- Other handle sizes are possible at surcharge. For lot quantity and available lengths, please contact local representatives.
- High precision assembly of pipe and bracket.

[Applications]

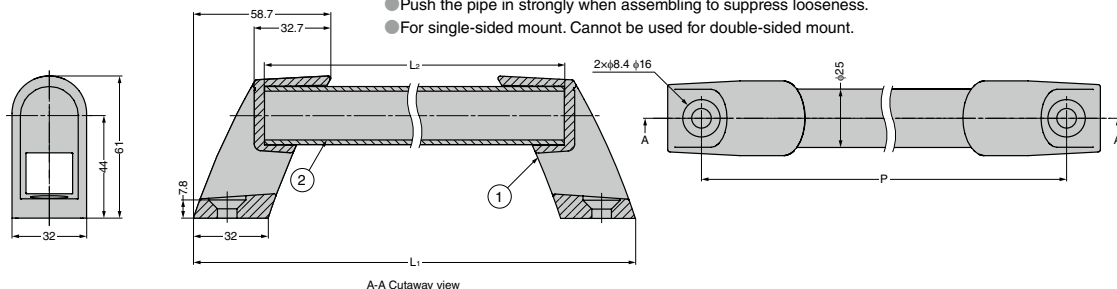
- Machine tools and large doors, etc.

[Recommended Screws]

- Countersunk head screw M8

[Remarks]

- Push the pipe in strongly when assembling to suppress looseness.
- For single-sided mount. Cannot be used for double-sided mount.



[Bracket]

RoHS	CAD	Item Code	Item Name	Weight (g)	Box (pcs)	Carton (pcs)
-	3D	100-029-942	APH-B	34	150	600

No.	Part Name	Material	Finish / Colour
①	Bracket	PA	Black
②	Pipe	Aluminium Alloy	Anodised Silver

[Pipe]

RoHS	CAD	Item Code	Item Name	L1	L2	P	Weight (g)	Box (pcs)	Carton (pcs)
-	3D	100-035-462	APH-P300	328.9	268	300	104.8	-	130
-	3D	100-035-463	APH-P400	428.9	368	400	119.3	-	100
-	3D	100-035-464	APH-P500	528.9	468	500	133.7	-	70
-	3D	100-035-465	APH-P600	628.9	568	600	287.9	-	70