

# HANDLE SJH

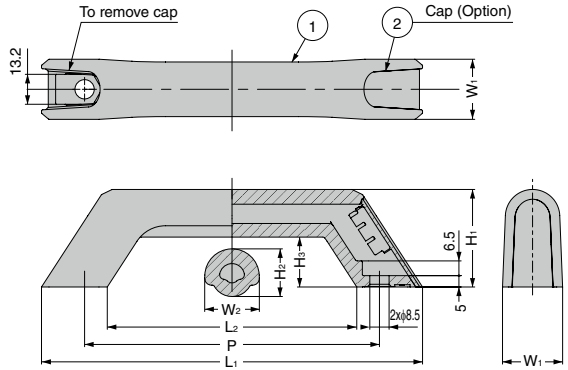


SJH-162/SJHC-162YR

- A rounded handle for a comfortable grip.
- Handle can be fixed from either the front or back with screws.

**[Applications]**

- Maintenance doors, etc.



LARGE HANDLES

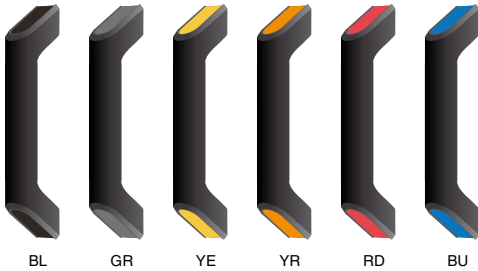
HANDLES (FRONT SCREW MOUNT)

HANDLES (BACK SCREW MOUNT)

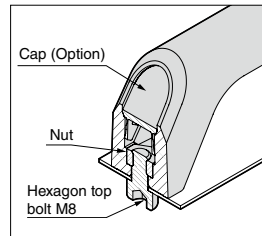
RECESSED PULLS

PULLS & KNOBS

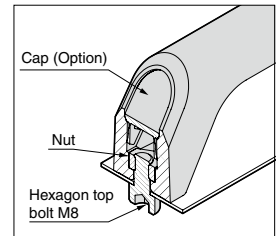
LATCH HANDLES



**[Fix from surface]**



**[Fix from back side]**



No.	Part Name	Material
①	Body	Reinforced nylon
②	Cap	PA

**[Body]**

RHS	CAD	Item Code	Item Name	Material	L <sub>1</sub>	L <sub>2</sub>	W <sub>1</sub>	W <sub>2</sub>	H <sub>1</sub>	H <sub>2</sub>	H <sub>3</sub>	P	Load Capacity N	Load Capacity kgf	Weight (g)	Box (pcs)	Carton (pcs)
		100-036-988	SJH-130	Reinforced nylon	168	110	26.5	24	43	21	22	130	-	-	76	-	-
		100-036-989	SJH-160	nylon	198	140	28.5	26	49	23	26	160	-	-	103	-	-

**[Cap] Sold Separately**

RHS	CAD	Item Code	Item Name	Material	Colour	Weight (g)	Box (pcs)	Carton (pcs)
		100-036-990	SJHC-130BL	PA	Black	1.5	-	-
		100-036-991	SJHC-130GR		Grey		-	-
		100-036-992	SJHC-130YE		Yellow		-	-
		100-036-993	SJHC-130YR		Orange		-	-
		100-036-994	SJHC-130RD		Red		-	-
		100-036-995	SJHC-130BU		Blue		-	-
		100-036-996	SJHC-160BL		Black	1.9	-	-
		100-036-997	SJHC-160GR		Grey		-	-
		100-036-998	SJHC-160YE		Yellow		-	-
		100-036-999	SJHC-160YR		Orange		-	-
		100-037-000	SJHC-160RD		Red		-	-
		100-037-001	SJHC-160BU		Blue		-	-