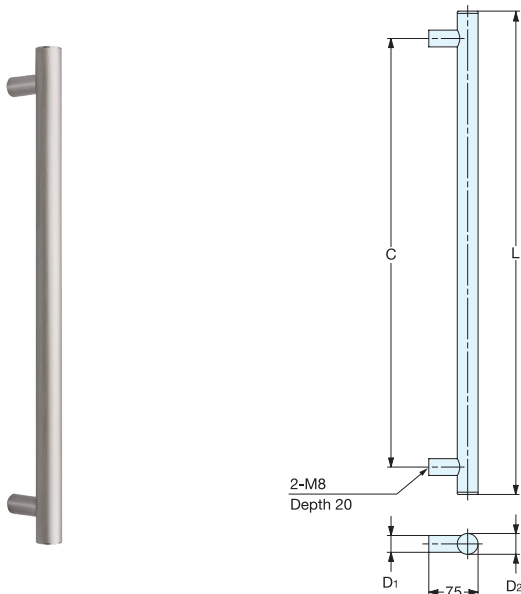


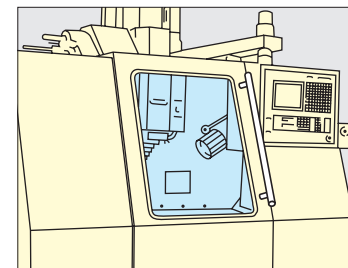
LARGE HANDLE



SSH



- Ideal in high corrosive environments and machinery applications.
- Designed for applications where a heavy duty handle is required.
- Recommended screw size: M8



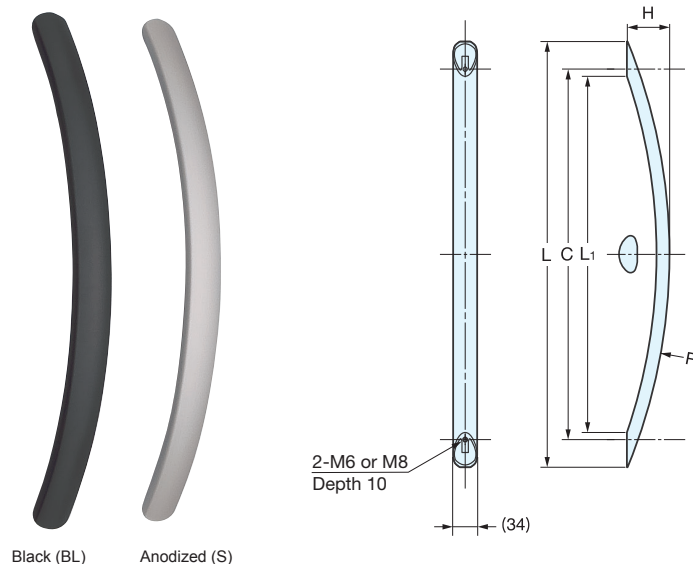
Item No.	L	C	D ₁	D ₂	Weight (g)	Box (pcs)	Carton (pcs)
SSH-2540	400	316 (12-7/16")	19	25	665	10	100
SSH-2560	600	516 (20-5/16")			750		
SSH-2580	800	716 (28-3/16")			840		
SSH-3240	400	316 (12-7/16")	25	32	1175	5	50
SSH-3260	600	516 (20-5/16")			1290		
SSH-3280	800	716 (28-3/16")			1400		

Material	Finish
304 Stainless Steel	Satin

ALUMINUM LARGE HANDLE



SOR



Black (BL)

Anodized (S)

- Ideal for machinery applications where a large handle is required.
- Recommended screw size:
M6 (400 and 600)
M8 (800)

Material	Finish
Aluminum	Anodized (S) Black (BL)

Item No.	L	L ₁	C	H	R	Weight (g)	Box (pcs)	Carton (pcs)
SOR-400/S	SOR-400/BL (390) (15-23/64")	(323)	335 (13-3/16")	(60) (2-23/64")	350	385	30	300
SOR-600/S	SOR-600/BL (600) (23-5/8")	(502)	522 (20-35/64")		790	495	20	200
SOR-800/S	SOR-800/BL (816) (32-1/8")	(686)	710 (27-61/64")		1440	605	15	150