

HANDLE

KMH



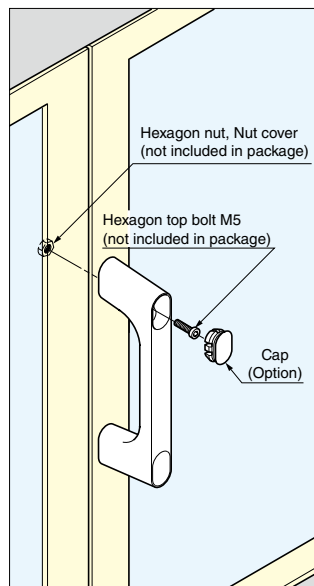
Features

- The handle can be installed by screwing in from the front and then the screws can be hidden using handle caps (which are sold separately). The handle caps come in four different colors.
- The top of the handle is a stylish flat surface while the sides are rounded and easy to grab.
- The caps are hard to take off and prevent unintentional removal.
- We can also prepare caps in different colors. For this type of order the MOQ is 10,000 pieces.

Recommended Screw

Hexagon top bolt or Pan head screw M5, M5

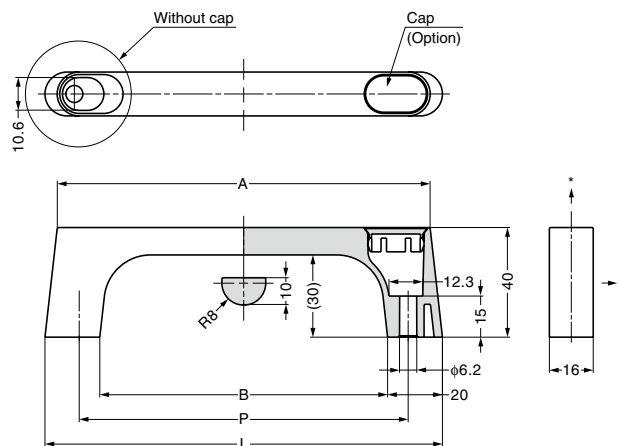
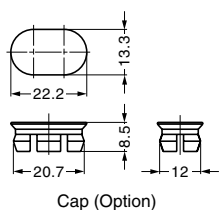
Installation



Caps (Option)



Without Cap



Body

Item Code	Item Name	Material	Finish	L	A	B	P	Load Capacity	Weight	Carton	
100-024-063	KMH-100	Zinc Alloy (ZDC)	Satin Chrome	125	116	85	100	500 N	51 kgf	162 g	100 pcs
100-024-064	KMH-120	Zinc Alloy (ZDC)	Satin Chrome	145	136	105	120	500 N	51 kgf	180 g	60 pcs
100-024-065	KMH-150	Zinc Alloy (ZDC)	Satin Chrome	175	166	135	150	500 N	51 kgf	206 g	60 pcs

Load capacity for two directions (see *marks on above figure).

Caps (Option) (Sold by piece)

Item Code	Item Name	Material	Colour	Weight
100-024-066	KMHC-WT	PBT Plastic	White	1.0 g
100-024-067	KMHC-GR	PBT Plastic	Grey	1.0 g
100-024-068	KMHC-BU	PBT Plastic	Light Blue	1.0 g
100-024-924	KMHC-BL	PBT Plastic	Black	1.0 g

HANDLES,
PULLS & KNOBS

HANDLE