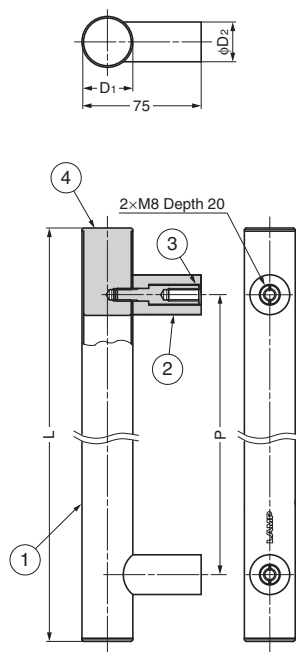


STAINLESS STEEL DOOR HANDLE



SSH



Features

- Simple design made from Stainless Steel.
- Possible to customize the length. For questions about lot size and options, please contact us.

Recommended Screw

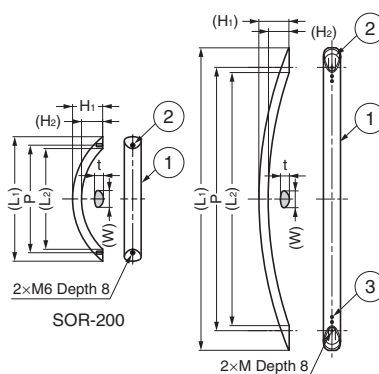
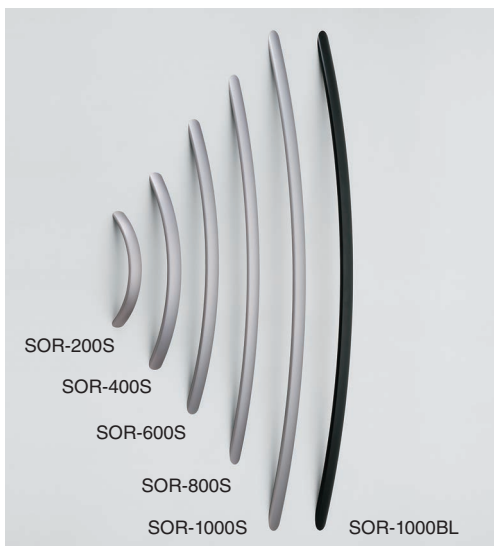
M8

No.	Part Name	Material	Finish
①	Body	Stainless Steel (SUS304)	Satin
②	Stem	Stainless Steel (SUS304)	Satin
③	Screw	Stainless Steel (SUS304)	Satin
④	Cover	Stainless Steel (SUS304)	Satin

Item Code	Item Name	L	P	D ₁	D ₂	Weight	Carton
100-181-413	SSH-2540	400	316	25	19	665 g	10 pcs
100-181-414	SSH-2560	600	516	25	19	750 g	10 pcs
100-181-415	SSH-2580	800	716	25	19	840 g	10 pcs
100-181-416	SSH-3240	400	316	32	25	1175 g	5 pcs
100-181-417	SSH-3260	600	516	32	25	1290 g	5 pcs
100-181-418	SSH-3280	800	716	32	25	1400 g	5 pcs

ALUMINIUM DOOR HANDLE

SOR



Features

- Flowing curves that adapt gracefully to any surface.
- Other handle sizes are available. Please contact us for lot size and prices.

Recommended Screw

M6, M8

No.	Part Name	Material
①	Body	Aluminium Alloy
②	Insert	Stainless Steel (SCS13)
③	Screw	Stainless Steel

Item Code	Item Name	Finish	L ₁	L ₂	P	H ₁	H ₂	W	t	M	Load capacity N	Load capacity kgf	Weight	Carton
100-028-297	SOR-200S	Stainless Steel/Anodized	222	180	192	54	38	30	16	M6	490	50	228 g	50 pcs
100-028-298	SOR-200BL	Black/Anodized	222	180	192	54	38	30	16	M6	490	50	228 g	50 pcs
100-010-961	SOR-400S	Stainless Steel/Anodized	392	323	335	60	42	34	18	M6	490	50	385 g	30 pcs
100-010-963	SOR-400BL	Black/Anodized	392	323	335	60	42	34	18	M6	490	50	385 g	30 pcs
100-010-962	SOR-600S	Stainless Steel/Anodized	604	502	522	60	42	34	18	M6	490	50	495 g	20 pcs
100-010-964	SOR-600BL	Black/Anodized	604	502	522	60	42	34	18	M6	490	50	495 g	20 pcs
100-010-960	SOR-800S	Stainless Steel/Anodized	823	686	710	60	42	34	18	M8	490	50	605 g	15 pcs
100-010-965	SOR-800BL	Black/Anodized	823	686	710	60	42	34	18	M8	490	50	605 g	15 pcs
100-028-299	SOR-1000S	Stainless Steel/Anodized	1090	939.8	975	80	59.8	38	20.2	M8	490	50	1647 g	8 pcs
100-028-300	SOR-1000BL	Black/Anodized	1090	939.8	975	80	59.8	38	20.2	M8	490	50	1647 g	8 pcs

