

HANDLE CJH

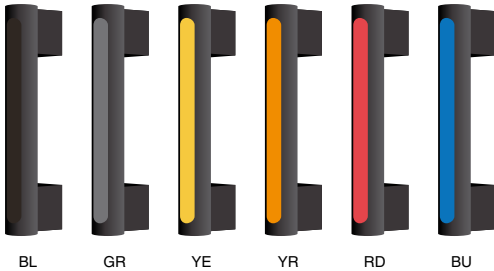
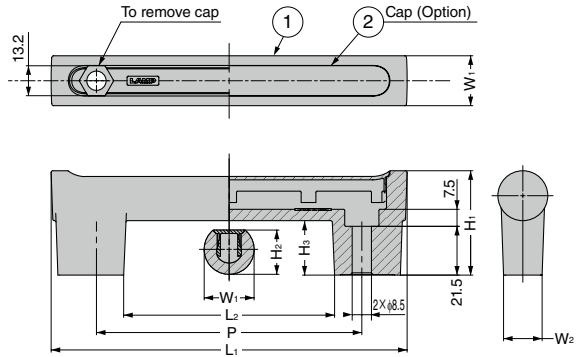


CJH-117/CJHC-117GR

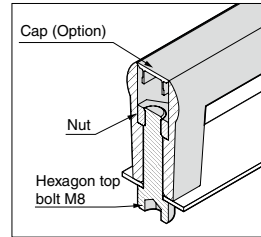
- Long colour cap facilitates intuitive operation.
- The cover colours are used for indicating dangerous regions and different work areas.
- Handle can be fixed from either the front or back with screws.

[Applications]

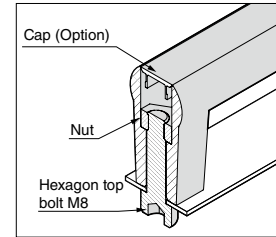
- Maintenance doors, etc.



[Fix from surface]



[Fix from back side]



| No. | Part Name | Material |
|-----|-----------|------------------|
| ① | Body | Reinforced nylon |
| ② | Cap | PA |

[Body]

| RHS | CAD | Item Code | Item Name | Material | L ₁ | L ₂ | W ₁ | W ₂ | H ₁ | H ₂ | H ₃ | P | Load Capacity N | Load Capacity kgf | Weight (g) | Box (pcs) | Carton (pcs) |
|-----|-----|-------------|-----------|------------|----------------|----------------|----------------|----------------|----------------|----------------|----------------|-----|-----------------|-------------------|------------|-----------|--------------|
| ☑ | ☑ | 100-036-974 | CJH-117BL | Reinforced | 157 | 93 | 22 | 17 | 46 | 19.5 | 24 | 117 | - | - | 67 | - | - |
| ☑ | ☑ | 100-036-975 | CJH-150BL | nylon | 190 | 125.5 | 24 | 18.5 | 52 | 21.4 | 28 | 150 | - | - | 91 | - | - |

[Cap] Sold Separately

| RHS | CAD | Item Code | Item Name | Material | Colour | Weight (g) | Box (pcs) | Carton (pcs) |
|-----|-----|-------------|------------|----------|--------|------------|-----------|--------------|
| ☑ | ☑ | 100-036-976 | CJHC-117BL | PA | Black | 4 | - | - |
| ☑ | ☑ | 100-036-977 | CJHC-117GR | | Grey | | - | - |
| ☑ | ☑ | 100-036-978 | CJHC-117YE | | Yellow | | - | - |
| ☑ | ☑ | 100-036-979 | CJHC-117YR | | Orange | | - | - |
| ☑ | ☑ | 100-036-980 | CJHC-117RD | | Red | | - | - |
| ☑ | ☑ | 100-036-981 | CJHC-117BU | | Blue | | - | - |
| ☑ | ☑ | 100-036-982 | CJHC-150BL | | Black | 6 | - | - |
| ☑ | ☑ | 100-036-983 | CJHC-150GR | | Grey | | - | - |
| ☑ | ☑ | 100-036-984 | CJHC-150YE | | Yellow | | - | - |
| ☑ | ☑ | 100-036-985 | CJHC-150YR | | Orange | | - | - |
| ☑ | ☑ | 100-036-986 | CJHC-150RD | | Red | | - | - |
| ☑ | ☑ | 100-036-987 | CJHC-150BU | | Blue | | - | - |