

# Flat suction cup (round)

PFG 10 PU-55 N004

Part no.: 10.01.01.00050

<https://www.schmalz.com/10.01.01.00050>



Homepage > Vacuum Technology for Automation > Vacuum Components > Vacuum Suction Cups > Flat Suction Cups (Round) > PFG 10 PU-55 N004

## Flat suction cup (round) for smooth or slightly rough surfaces

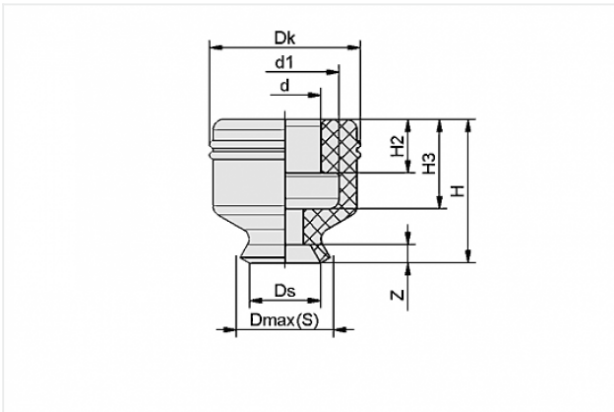


Size: 10

Suction cup material: Polyurethane PU

Material hardness: 55 °Sh

### Design Data



Attribute	Value
-----------	-------

d	4 mm
---	------

d1	6 mm
----	------

Dk	8.7 mm
----	--------

Dmax(S)	11.5 mm
---------	---------

Ds	10 mm
----	-------

H	7.5 mm
---	--------

H2	2 mm
----	------

H3	4 mm
----	------

Z	1.4 mm
---	--------

### Contact to Schmalz

J. Schmalz GmbH | Johannes-Schmalz-Straße, 72293 Glatten, Deutschland | +49 7443 2403-102 | [customercenter@schmalz.de](mailto:customercenter@schmalz.de)

## Technical Data

Attribute	Value
Suction force	4 N
Volume	0.154 cm <sup>3</sup>
Curve radius (min) (convex)	12.5 mm
Size	10
Nipple	N 004
Number of folds	0
Suction cup material	Polyurethane PU
Material hardness	55 °Sh
Weight	0.3 g
Product family	PFG

## Accessories



### SA-NIP N004 M5-AG DN200

Part no. 10.01.01.03526

Suction cup connection nipple

Nipple: N 004

Thread G1: M5-M

Overall length: 13.5 mm

Fitting length: 5 mm

Nominal size: 2.00 mm

Material: Aluminium



**SA-NIP N004 M5-IG DN200**

Part no. 10.01.01.03518

Suction cup connection nipple

Nipple: N 004

Thread G1: M5-F

Overall length: 14 mm

Fitting length: 10 mm

Nominal size: 2.00 mm

Material: Aluminium



**SA-NIP N004 G1/8-AG DN200**

Part no. 10.01.01.03528

Suction cup connection nipple

Nipple: N 004

Thread G1: G1/8"-M

Overall length: 17 mm

Fitting length: 5 mm

Nominal size: 2.00 mm

Material: Aluminium



**SA-NIP N004 G1/8-IG DN200**

Part no. 10.01.01.03520

Suction cup connection nipple

Nipple: N 004

Thread G1: G1/8"-F

Overall length: 20 mm

Fitting length: 16 mm

Nominal size: 2.00 mm

Material: Aluminium