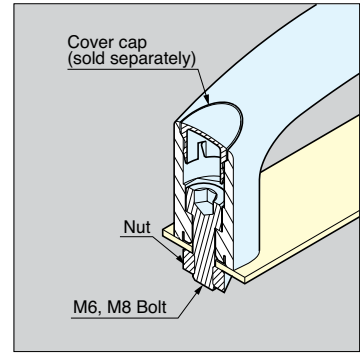


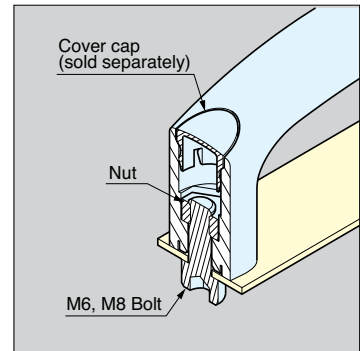
# HANDLE



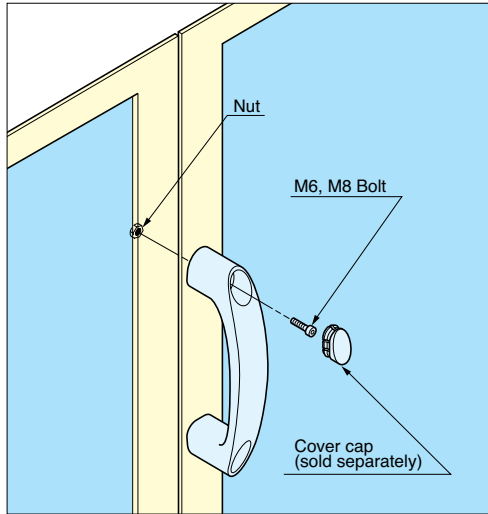
# MJH



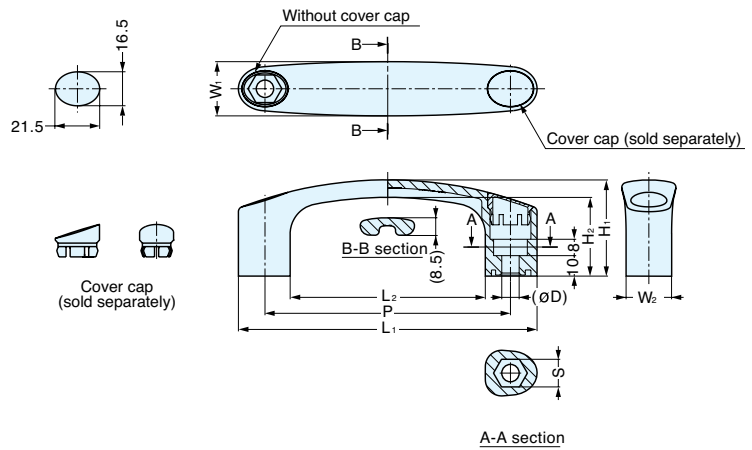
Surface Mount



Back Mount



Installation



Item No.	Material	Color	Weight (g)
MJHC-BL	Polyamide	Black	1.4
MJHC-GR		Gray	
MJHC-YE		Yellow	

Item No.	Load Capacity (kgf)	Material	Finish	P	L1	L2	D	S	H1	H2	W1	W2	Weight (g)
MJH-93	46 (101lbs)	Polyamide	Black	93 (3-21/32")	119 (4-11/16")	67	6.5	10.2	42 (1-21/32")	33.5	25.0	21.3	162
MJH-120				120 (4-23/32")	146 ( 5-3/4" )	94	8.5	13.2	47 (1-27/32")	38.5	26.5	22.4	180
MJH-150				150 (5-29/32")	176 (6-59/64")	124	8.5	13.2	52 (2-3/64" )	43.5	28.0	22.5	206