

## Flat suction cup (round)

SUF 100 SI-55 G1/4-IG

Part no.:10.01.01.14076

<https://www.schmalz.com/10.01.01.14076>

Homepage > Vacuum Technology for Automation > Vacuum Components > Vacuum Suction Cups > Flat suction cup (round) > Suction Cups

SUF > SUF 100 SI-55 G1/4-IG

### Flat suction cup (round) for process safe handling of smooth or slightly rough surfaces

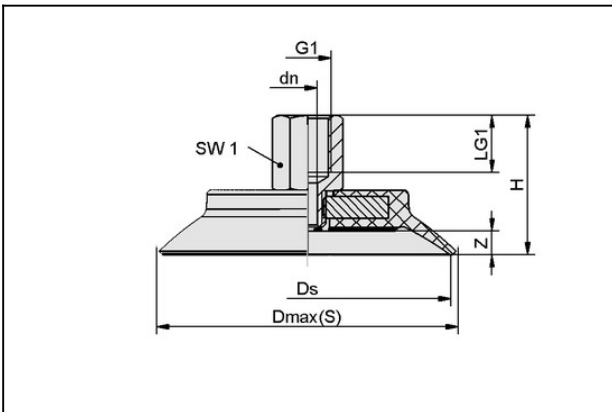


Size: 100

Suction cup material: Silicone SI

Material hardness: 55 °Sh

### Design Data



Attribute	Value
Dmax(S)	108 mm
Ds	100 mm
dn	5.1 mm
G1	G1/4"-F
H	35.9 mm
LG1	12 mm
SW1	17 mm
Z (Stroke)	7.5 mm

### Technical Data

#### Contact to Schmalz

J. Schmalz GmbH | Johannes-Schmalz-Straße, 72293 Glatten, Deutschland | +49 7443 2403-102 | [customercenter@schmalz.de](mailto:customercenter@schmalz.de)



## Flat suction cup (round)

SUF 100 SI-55 G1/4-IG

Part no.:10.01.01.14076

<https://www.schmalz.com/10.01.01.14076>

Attribute	Value
Size	100
Suction cup material	Silicone SI
Material hardness [Shore A]	55 Shore A
Abreißkraft (real)	401.6 N

---

---