

## Flat suction cup (round)

### SUF 100 SI-55 G1/4-AG

Part no.:10.01.01.14071

<https://www.schmalz.com/10.01.01.14071>

Homepage > Vacuum Technology for Automation > Vacuum Components > Vacuum Suction Cups > Flat suction cup (round) > Suction Cups

SUF > SUF 100 SI-55 G1/4-AG

## Flat suction cup (round) for process safe handling of smooth or slightly rough surfaces

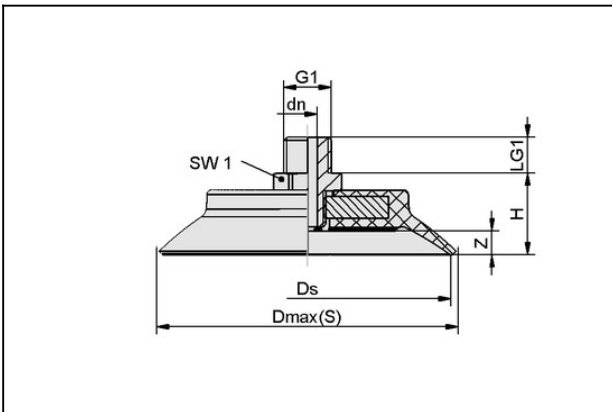


Size: 100

Suction cup material: Silicone SI

Material hardness: 55 °Sh

### Design Data



| Attribute  | Value   |
|------------|---------|
| Dmax(S)    | 108 mm  |
| Ds         | 100 mm  |
| dn         | 5.1 mm  |
| G1         | G1/4"-M |
| H          | 24 mm   |
| LG1        | 10 mm   |
| SW1        | 17 mm   |
| Z (Stroke) | 7.5 mm  |

### Technical Data

#### Contact to Schmalz

J. Schmalz GmbH | Johannes-Schmalz-Straße, 72293 Glatten, Deutschland | +49 7443 2403-102 | [customercenter@schmalz.de](mailto:customercenter@schmalz.de)

# Flat suction cup (round)

## SUF 100 SI-55 G1/4-AG

Part no.:10.01.01.14071

<https://www.schmalz.com/10.01.01.14071>



| Attribute                   | Value       |
|-----------------------------|-------------|
| Size                        | 100         |
| Suction cup material        | Silicone SI |
| Material hardness [Shore A] | 55 Shore A  |
| Abreißkraft (real)          | 401.6 N     |