

Flat suction cup (round)

SUF 100 NBR-55 G1/4-IG

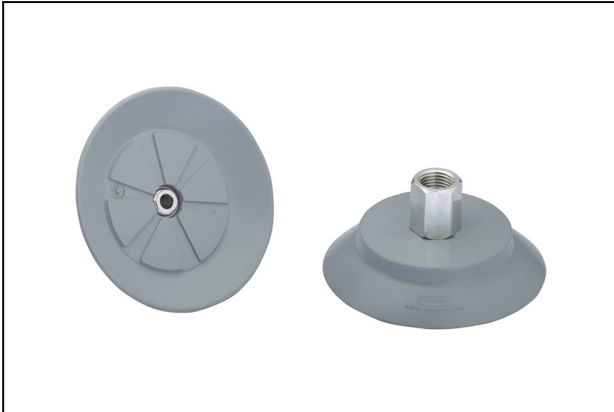
Part no.:10.01.01.14066

<https://www.schmalz.com/10.01.01.14066>

Homepage > Vacuum Technology for Automation > Vacuum Components > Vacuum Suction Cups > Flat suction cup (round) > Suction Cups

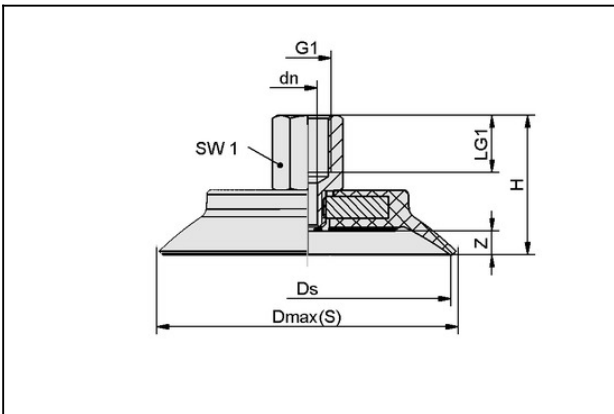
SUF > SUF 100 NBR-55 G1/4-IG

Flat suction cup (round) for process safe handling of smooth or slightly rough surfaces



Size: 100
 Suction cup material:
 Nitrile rubber NBR
 Material hardness: 55 °Sh

Design Data



| Attribute | Value |
|------------|---------|
| Dmax(S) | 108 mm |
| Ds | 100 mm |
| dn | 5.1 mm |
| G1 | G1/4"-F |
| H | 35.9 mm |
| LG1 | 12 mm |
| SW1 | 17 mm |
| Z (Stroke) | 7.5 mm |

Technical Data

Contact to Schmalz

J. Schmalz GmbH | Johannes-Schmalz-Straße, 72293 Glatten, Deutschland | +49 7443 2403-102 | customercenter@schmalz.de

Flat suction cup (round)

SUF 100 NBR-55 G1/4-IG

Part no.:10.01.01.14066

<https://www.schmalz.com/10.01.01.14066>



| Attribute | Value |
|-----------------------------|--------------------|
| Size | 100 |
| Suction cup material | Nitrile rubber NBR |
| Material hardness [Shore A] | 55 Shore A |
| Abreißkraft (real) | 401.6 N |