

Flat suction cup (round)

SUF 100 HT1-60 G1/4-AG

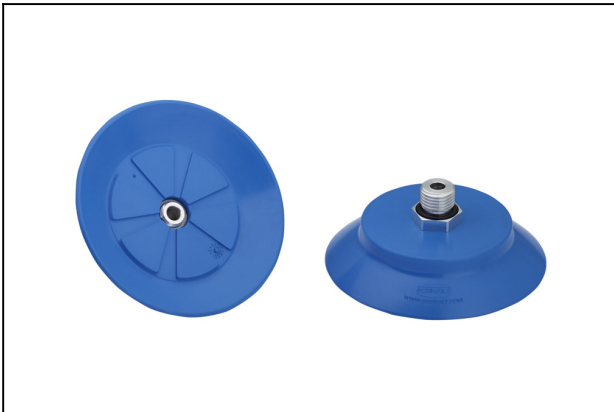
Part no.:10.01.01.14081

<https://www.schmalz.com/10.01.01.14081>

Homepage > Vacuum Technology for Automation > Vacuum Components > Vacuum Suction Cups > Flat suction cup (round) > Suction Cups

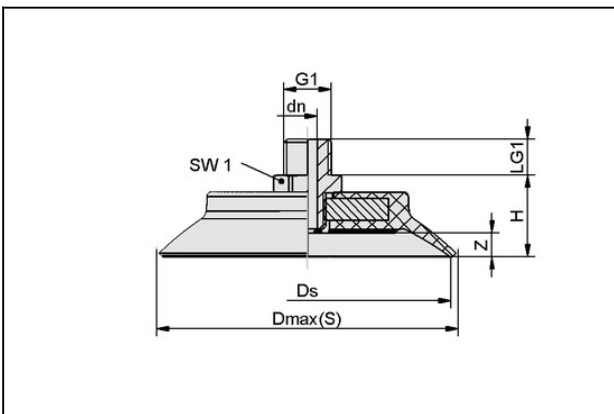
SUF > SUF 100 HT1-60 G1/4-AG

Flat suction cup (round) for process safe handling of smooth or slightly rough surfaces



Size: 100
 Suction cup material:
 High temp material HT1
 Material hardness: 60 °Sh

Design Data



Attribute	Value
Dmax(S)	108 mm
Ds	100 mm
dn	5.1 mm
G1	G1/4"-M
H	24 mm
LG1	10 mm
SW1	17 mm
Z (Stroke)	7.5 mm

Technical Data

Contact to Schmalz

J. Schmalz GmbH | Johannes-Schmalz-Straße, 72293 Glatten, Deutschland | +49 7443 2403-102 | customercenter@schmalz.de

Flat suction cup (round)

SUF 100 HT1-60 G1/4-AG

Part no.:10.01.01.14081

<https://www.schmalz.com/10.01.01.14081>



Attribute	Value
Size	100
Suction cup material	High temp material HT1
Material hardness [Shore A]	60 Shore A
Abreißkraft (real)	401.6 N