

Flat suction cup (round)

SUF 80 SI-55 G1/4-IG

Part no.:10.01.01.14074

<https://www.schmalz.com/10.01.01.14074>

Homepage > Vacuum Technology for Automation > Vacuum Components > Vacuum Suction Cups > Flat suction cup (round) > Suction Cups

SUF > SUF 80 SI-55 G1/4-IG

Flat suction cup (round) for process safe handling of smooth or slightly rough surfaces

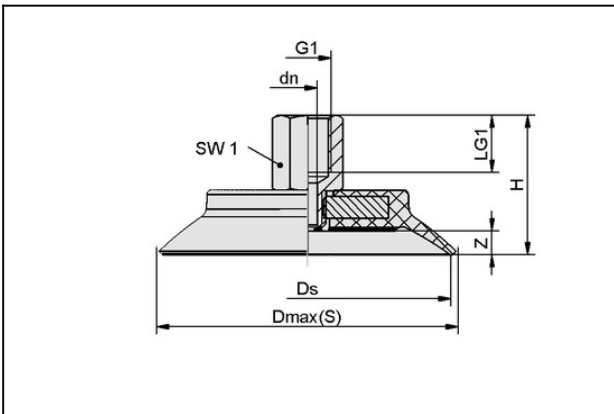


Size: 80

Suction cup material: Silicone SI

Material hardness: 55 °Sh

Design Data



Attribute	Value
Dmax(S)	87.1 mm
Ds	80 mm
dn	5.1 mm
G1	G1/4"-F
H	34.9 mm
LG1	12 mm
SW1	17 mm
Z (Stroke)	6.5 mm

Technical Data

Contact to Schmalz

J. Schmalz GmbH | Johannes-Schmalz-Straße, 72293 Glatten, Deutschland | +49 7443 2403-102 | customercenter@schmalz.de



Flat suction cup (round)

SUF 80 SI-55 G1/4-IG

Part no.:10.01.01.14074

<https://www.schmalz.com/10.01.01.14074>

Attribute	Value
Size	80
Suction cup material	Silicone SI
Material hardness [Shore A]	55 Shore A
Abreißkraft (real)	254 N
