

Flat suction cup (round)

<https://www.schmalz.com/10.01.01.11160>



PFG 8 HT1-60 N004

Part no.: 10.01.01.11160

Homepage > Vacuum Technology for Automation > Vacuum Components > Vacuum Suction Cups > Flat Suction Cups (Round) > PFG 8 HT1-60 N004

Flat suction cup (round) for smooth or slightly rough surfaces



Size: 8

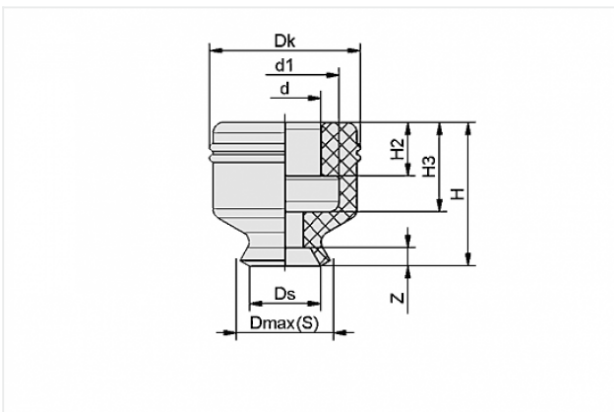
Suction cup material:

High temp material HT1

Material hardness: 60 °Sh

Material property: non-marking

Design Data



Attribute	Value
-----------	-------

d	4 mm
---	------

d1	6 mm
----	------

Dk	8.2 mm
----	--------

Dmax(S)	9 mm
---------	------

Ds	8 mm
----	------

H	7 mm
---	------

H2	2 mm
----	------

H3	4 mm
----	------

Z	1.3 mm
---	--------

Contact to Schmalz

J. Schmalz GmbH | Johannes-Schmalz-Straße, 72293 Glatten, Deutschland | +49 7443 2403-102 | customercenter@schmalz.de

Technical Data

Attribute	Value
Suction force	2.3 N
Volume	0.155 cm ³
Curve radius (min) (convex)	10 mm
Size	8
Nipple	N 004
Number of folds	0
Suction cup material	High temp material HT1
Material hardness	60 °Sh
Weight	0.2 g
Product family	PFG

Accessories



SA-NIP N004 M5-AG DN200

Part no. 10.01.01.03526

Suction cup connection nipple

Nipple: N 004

Thread G1: M5-M

Overall length: 13.5 mm

Fitting length: 5 mm

Nominal size: 2.00 mm

Material: Aluminium



SA-NIP N004 M5-IG DN200

Part no. 10.01.01.03518

Suction cup connection nipple

Nipple: N 004

Thread G1: M5-F

Overall length: 14 mm

Fitting length: 10 mm

Nominal size: 2.00 mm

Material: Aluminium



SA-NIP N004 G1/8-AG DN200

Part no. 10.01.01.03528

Suction cup connection nipple

Nipple: N 004

Thread G1: G1/8"-M

Overall length: 17 mm

Fitting length: 5 mm

Nominal size: 2.00 mm

Material: Aluminium



SA-NIP N004 G1/8-IG DN200

Part no. 10.01.01.03520

Suction cup connection nipple

Nipple: N 004

Thread G1: G1/8"-F

Overall length: 20 mm

Fitting length: 16 mm

Nominal size: 2.00 mm

Material: Aluminium