

## Flat suction cup (round)

SUF 15 SI-AS-55 G1/8-IG

Part no.:10.01.01.14141

<https://www.schmalz.com/10.01.01.14141>

Homepage > Vacuum Technology for Automation > Vacuum Components > Vacuum Suction Cups > Flat suction cup (round) > Suction Cups

SUF > SUF 15 SI-AS-55 G1/8-IG

### Flat suction cup (round) for process safe handling of smooth or slightly rough surfaces



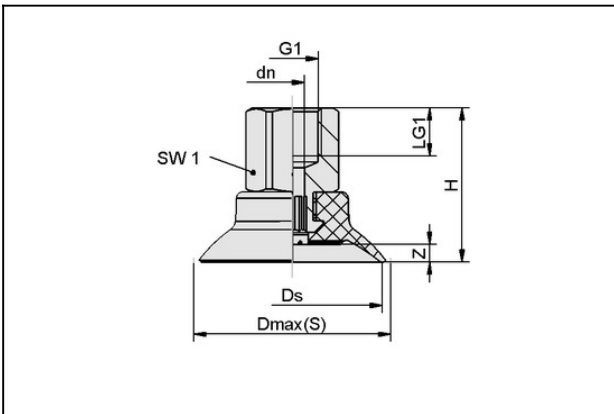
Size: 15

Suction cup material:

Silicone SI-antistatic

Material hardness: 55 °Sh

### Design Data



Attribute	Value
Dmax(S)	16.8 mm
Ds	15 mm
dn	3.1 mm
G1	G1/8"-F
H	23 mm
LG1	8 mm
SW1	14 mm
Z (Stroke)	1.5 mm

### Technical Data

#### Contact to Schmalz

J. Schmalz GmbH | Johannes-Schmalz-Straße, 72293 Glatten, Deutschland | +49 7443 2403-102 | [customercenter@schmalz.de](mailto:customercenter@schmalz.de)

## Flat suction cup (round)

### SUF 15 SI-AS-55 G1/8-IG

Part no.:10.01.01.14141

<https://www.schmalz.com/10.01.01.14141>

Attribute	Value
Size	15
Suction cup material	Silicone SI-antistatic
Material hardness [Shore A]	55 Shore A
Abreißkraft (real)	9 N

## Spare Parts



### SC 030 G1/8-IG

Part no.10.01.06.04307

Connection element for suction cup "SchmalzConnector"

Connection geometry: 030

Vacuum connection: G1/8"-F

Overall length: 19.8 mm

Fitting length: 14 mm

Nominal diameter dn: 3.1 mm

<>



### SUF 15 SI-AS-55 SC030

Part no.10.01.01.14033

Flat suction cup (round) f. process- safe handling of smooth or slightly rough surfaces

Size: 15

Suction cup material:

Silicone SI-antistatic

Material hardness: 55 °Sh