

Flat suction cup (round)

SUF 10 SI-55 M5-IG

Part no.:10.01.01.14168

<https://www.schmalz.com/10.01.01.14168>

Homepage > Vacuum Technology for Automation > Vacuum Components > Vacuum Suction Cups > Flat suction cup (round) > Suction Cups

SUF > SUF 10 SI-55 M5-IG

Flat suction cup (round) for process safe handling of smooth or slightly rough surfaces

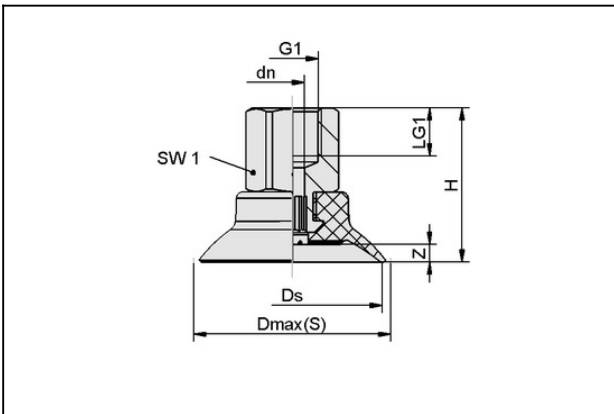


Size: 10

Suction cup material: Silicone SI

Material hardness: 55 °Sh

Design Data



| Attribute | Value |
|------------|---------|
| Dmax(S) | 11.2 mm |
| Ds | 10 mm |
| dn | 3.1 mm |
| G1 | M5-F |
| H | 18.4 mm |
| LG1 | 5.5 mm |
| SW1 | 8 mm |
| Z (Stroke) | 1 mm |

Technical Data

Contact to Schmalz

J. Schmalz GmbH | Johannes-Schmalz-Straße, 72293 Glatten, Deutschland | +49 7443 2403-102 | customercenter@schmalz.de

Flat suction cup (round)

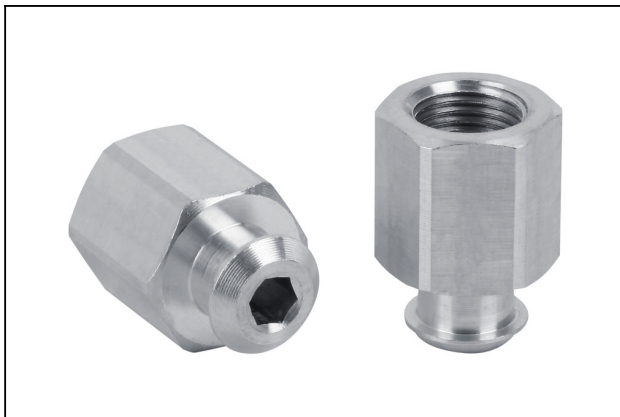
SUF 10 SI-55 M5-IG

Part no.:10.01.01.14168

<https://www.schmalz.com/10.01.01.14168>

| Attribute | Value |
|-----------------------------|-------------|
| Size | 10 |
| Suction cup material | Silicone SI |
| Material hardness [Shore A] | 55 Shore A |
| Abreißkraft (real) | 3.9 N |

Spare Parts



SC 030 M5-IG

Part no.10.01.06.03440

Connection element for suction cup "SchmalzConnector"

Connection geometry: 030

Vacuum connection: M5-F

Overall length: 15.8 mm

Fitting length: 10 mm

Nominal diameter dn: 3.1 mm



SUF 10 SI-55 SC030

Part no.10.01.01.13965

Flat suction cup (round) f. process- safe handling of smooth or slightly rough surfaces

Size: 10

Suction cup material: Silicone SI

Material hardness: 55 °Sh