

Flat suction cup (round)

<https://www.schmalz.com/10.01.01.10051>



PFG 5 SI-AS-55 N004

Part no.: 10.01.01.10051

Homepage > Vacuum Technology for Automation > Vacuum Components > Vacuum Suction Cups > Flat Suction Cups (Round) > PFG 5 SI-AS-55 N004

Flat suction cup (round) for smooth or slightly rough surfaces



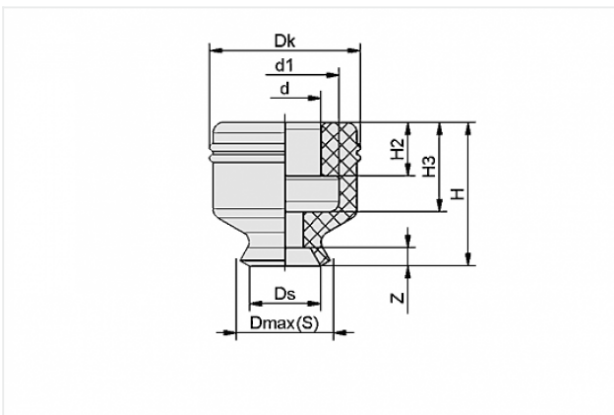
Size: 5

Suction cup material:

Silicone SI-antistatisch

Material hardness: 55 °Sh

Design Data



Attribute	Value
-----------	-------

d	4 mm
d1	6 mm
Dk	7.7 mm
Dmax(S)	5.5 mm
Ds	5 mm
H	6.5 mm
H2	2 mm
H3	4 mm
Z	0.9 mm

Contact to Schmalz

J. Schmalz GmbH | Johannes-Schmalz-Straße, 72293 Glatten, Deutschland | +49 7443 2403-102 | customercenter@schmalz.de

Technical Data

Attribute	Value
Suction force	0.75 N
Volume	0.092 cm ³
Curve radius (min) (convex)	7.5 mm
Size	5
Nipple	N 004
Number of folds	0
Suction cup material	Silicone SI-antistatisch
Material hardness	55 °Sh
Weight	0.2 g
Product family	PFG

Accessories



SA-NIP N004 M5-AG DN200

Part no. 10.01.01.03526

Suction cup connection nipple

Nipple: N 004

Thread G1: M5-M

Overall length: 13.5 mm

Fitting length: 5 mm

Nominal size: 2.00 mm

Material: Aluminium

Contact to Schmalz



SA-NIP N004 M5-IG DN200

Part no. 10.01.01.03518

Suction cup connection nipple

Nipple: N 004

Thread G1: M5-F

Overall length: 14 mm

Fitting length: 10 mm

Nominal size: 2.00 mm

Material: Aluminium



SA-NIP N004 G1/8-AG DN200

Part no. 10.01.01.03528

Suction cup connection nipple

Nipple: N 004

Thread G1: G1/8"-M

Overall length: 17 mm

Fitting length: 5 mm

Nominal size: 2.00 mm

Material: Aluminium



SA-NIP N004 G1/8-IG DN200

Part no. 10.01.01.03520

Suction cup connection nipple

Nipple: N 004

Thread G1: G1/8"-F

Overall length: 20 mm

Fitting length: 16 mm

Nominal size: 2.00 mm

Material: Aluminium