

Flat suction cup (round)

SUF 1.5 HT1-60 M3-AG

Part no.:10.01.01.14207

<https://www.schmalz.com/10.01.01.14207>

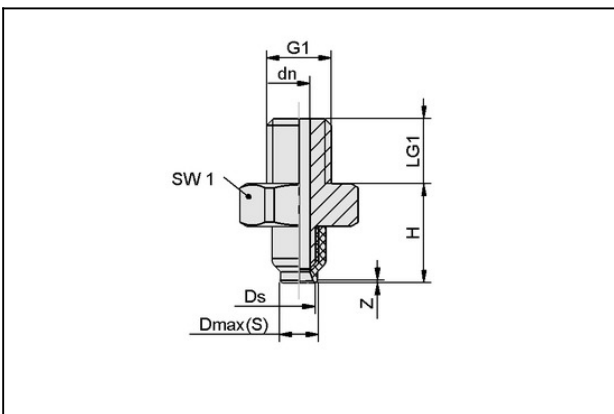
Homepage > Vacuum Technology for Automation > Vacuum Components > Vacuum Suction Cups > SUF 1.5 HT1-60 M3-AG

Flat suction cup (round) for process safe handling of smooth or slightly rough surfaces



Size: 1.5
 Suction cup material:
 High temp material HT1
 Material hardness: 60 °Sh

Design Data



Attribute	Value
Dmax(S)	1.7 mm
Ds	1.5 mm
dn	1 mm
G1	M3-M
H	4.6 mm
LG1	3 mm
SW1	5 mm
Z (Stroke)	0.1 mm

Technical Data

Attribute	Value
Size	1.5

Contact to Schmalz

J. Schmalz GmbH | Johannes-Schmalz-Straße, 72293 Glatten, Deutschland | +49 7443 2403-102 | customercenter@schmalz.de

Flat suction cup (round)

SUF 1.5 HT1-60 M3-AG

Part no.:10.01.01.14207

<https://www.schmalz.com/10.01.01.14207>

Attribute	Value
Suction cup material	High temp material HT1
Material hardness [Shore A]	60 Shore A

Spare Parts



SC 010 M3-AG

Part no.10.01.06.04249

Connection element for suction cup "SchmalzConnector"

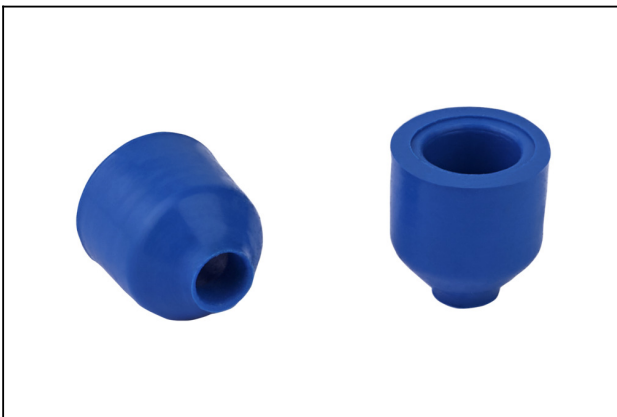
Connection geometry: 010

Vacuum connection: M3-M

Fitting length: 2 mm

Nominal diameter dn: 1 mm

<>



SUF 1.5 HT1-60 SC010

Part no.10.01.01.13981

Flat suction cup (round) f. process- safe handling of smooth or slightly rough surfaces

Size: 1.5

Suction cup material:

High temp material HT1

Material hardness: 60 °Sh