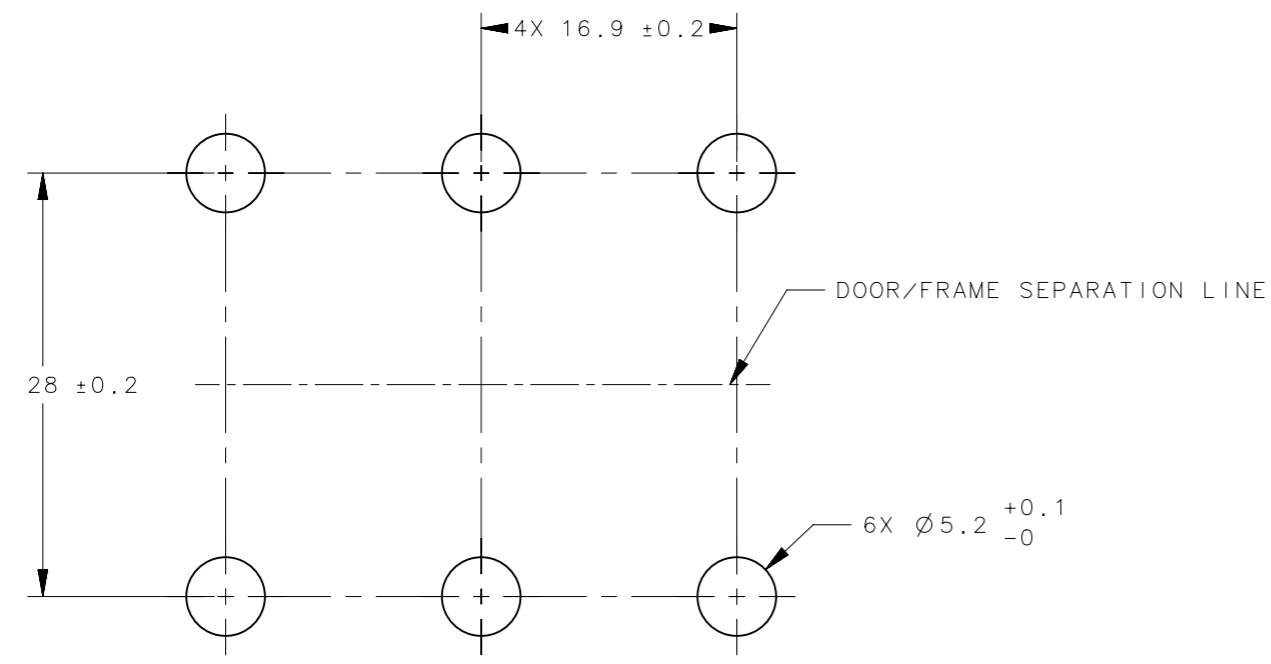
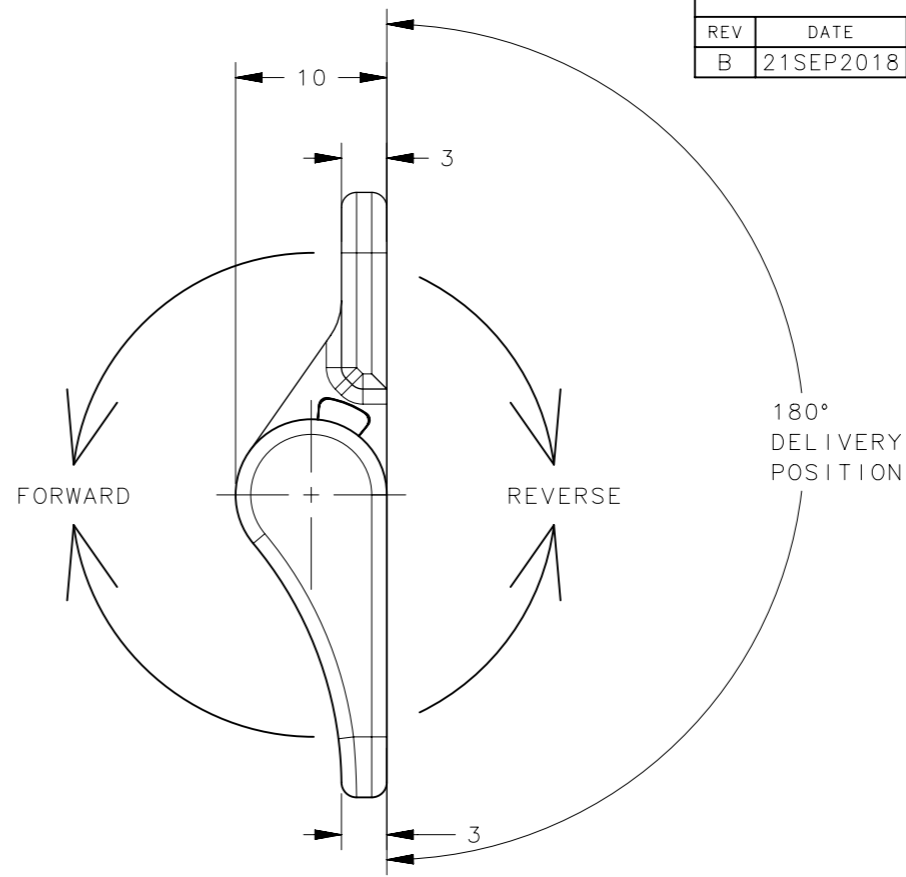
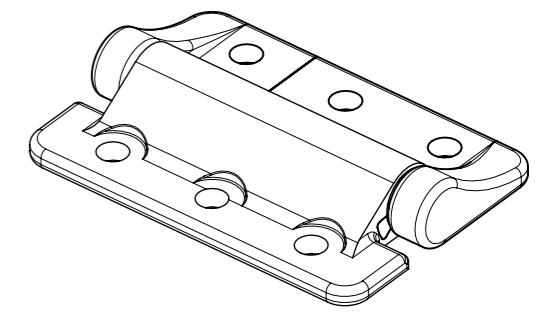
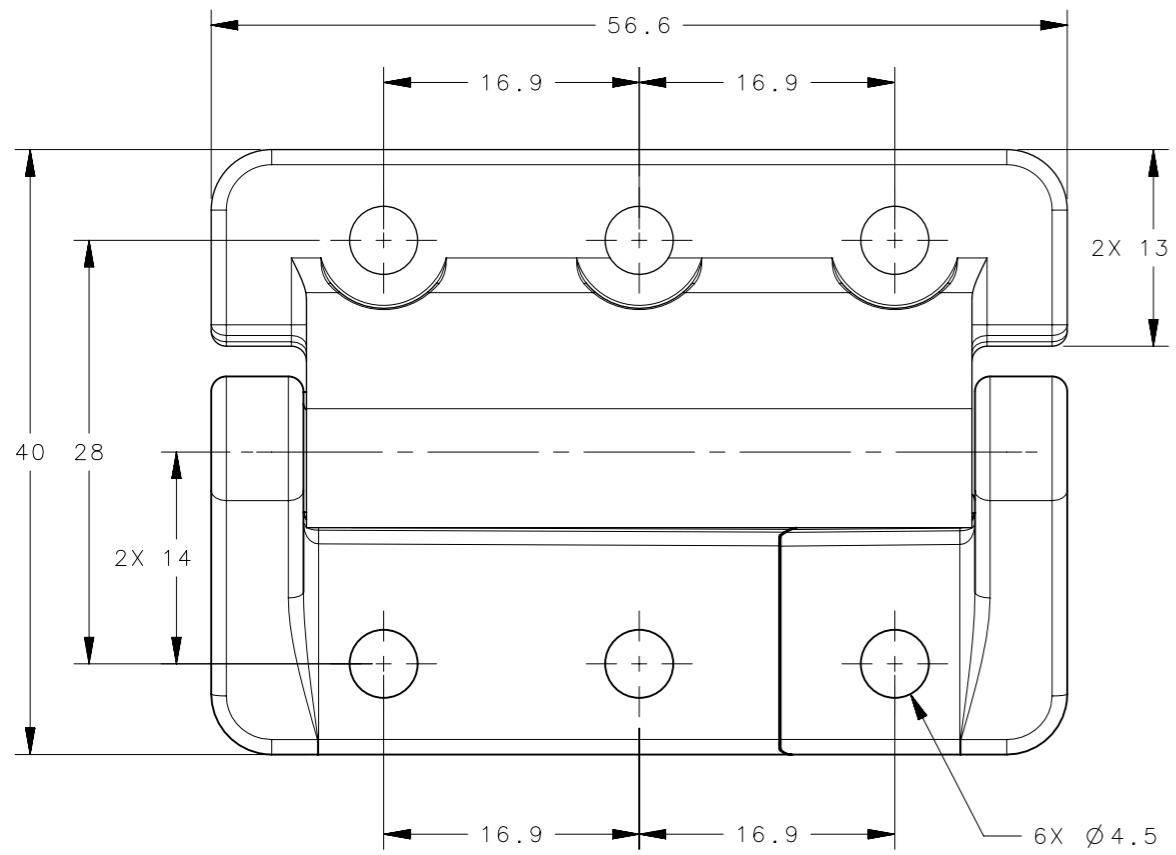


REVISION HISTORY			
REV	DATE	BY	DESCRIPTION
B	21SEP2018	JD/YGC	PRN: P2018-2017



PANEL PREPARATION



PART NUMBER	FORWARD TORQUE	REVERSE TORQUE
E6-10E-200-XX	FREE OPERATING	
E6-10E-208-XX	0.9 N-m (8.0 in-lbs)	
E6-10E-212-XX	1.4 N-m (12.0 in-lbs)	
E6-10E-216-XX	1.8 N-m (16.0 in-lbs)	
E6-10E-220-XX	2.3 N-m (20.0 in-lbs)	
E6-10E-224-XX	2.7 N-m (24.0 in-lbs)	
E6-10E-230-XX	3.4 N-m (30.0 in-lbs)	
E6-10E-212F-XX	1.4 N-m (12.0 in-lbs)	0.8 N-m (7.2 in-lbs) (REF)
E6-10E-216F-XX	1.8 N-m (16.0 in-lbs)	1.1 N-m (9.6 in-lbs) (REF)
E6-10E-220F-XX	2.3 N-m (20.0 in-lbs)	1.4 N-m (12.0 in-lbs) (REF)
E6-10E-224F-XX	2.7 N-m (24.0 in-lbs)	1.6 N-m (14 in-lbs) (REF)
E6-10E-230F-XX	3.4 N-m (30.0 in-lbs)	2.0 N-m (18 in-lbs) (REF)
E6-10E-240F-XX	4.5 N-m (40.0 in-lbs)	2.7 N-m (24.0 in-lbs) (REF)
E6-10E-212R-XX	0.8 N-m (7.2 in-lbs) (REF)	1.4 N-m (12.0 in-lbs)
E6-10E-216R-XX	1.1 N-m (9.6 in-lbs) (REF)	1.8 N-m (16.0 in-lbs)
E6-10E-220R-XX	1.4 N-m (12.0 in-lbs) (REF)	2.3 N-m (20.0 in-lbs)
E6-10E-224R-XX	1.6 N-m (14 in-lbs) (REF)	2.7 N-m (24.0 in-lbs)
E6-10E-230R-XX	2.0 N-m (18.0 in-lbs) (REF)	3.4 N-m (30.0 in-lbs)
E6-10E-240R-XX	2.7 N-m (24.0 in-lbs) (REF)	4.5 N-m (40.0 in-lbs)
PART NUMBER	DESCRIPTION	FINISH
E6-10E-2XXX-63	ASSEMBLY - AS CAST	NATURAL
E6-10E-2XXX-50	ASSEMBLY - COATED	BLACK POWDER
E6-10E-2XXX-70	ASSEMBLY - COATED	SILVER POWDER

NOTES:

- PERFORMANCE TORQUE TOLERANCE ±20%.
- DESIGNED TO ACCEPT M4 OR No. 8 SCREW OR EQUIVALENT.
- MATERIAL:
HINGE LEAVES: DIE CAST ALUMINUM, SEE TABLE FOR FINISH,
SHAFT & PIN: STEEL,
O-RINGS: BUNA-N RUBBER,
BEARINGS: DIE CAST ZINC.

THIRD ANGLE PROJECTION	MILLIMETERS [IN]		
TOLERANCES UNLESS OTHERWISE NOTED		E6-10E EXTENDED HINGE ASSEMBLY	
ALL DIMENSIONS WITHOUT TOLERANCES ARE FOR REFERENCE ONLY.		SIZE A3	SYSTEM NX
PER ASME Y14.5M-1994		DWG NO. J-E6-10E-2	SCALE 2:1 SHEET 1 OF 1
<small>PROPRIETARY ITEM EXCEPT FOR USES EXPRESSLY GRANTED IN WRITING. INFORMATION DISCLOSED HEREON IS CONFIDENTIAL AND ALL RIGHTS, PATENT AND OTHERWISE, ARE RESERVED BY SOUTHCO, INC.</small>		DRAWN BY JD	DATE 11MAY2017