

# Large-area vacuum gripper

## FMCB-SW110 300 3R18 O20 VSi

Part no.:10.01.43.00017

<https://www.schmalz.com/10.01.43.00017>

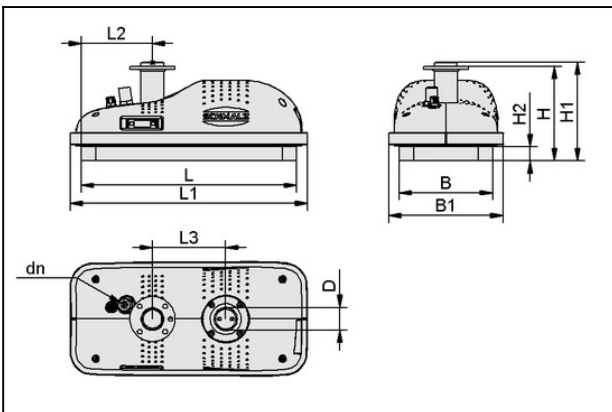
Homepage > Vacuum Technology for Automation > Vacuum Components > Area Gripping Systems and End Effectors > Vacuum Area Gripping Systems FXCB/FMCB > Vacuum Area Gripping Systems FMCB > FMCB-SW110 300 3R18 O20 VSi

### Vacuum area gripping system for external vacuum generator, with flow resistors



valve type: Flow resistance  
 Nozzle diameter: 1.1 mm  
 Length L: 300 mm  
 Width B: 130 mm  
 Height H: 131.4 mm  
 Arrangement: 3 rows, 18mm  
 Material-Type: Foam O, Height 20 mm  
 with: Vacuum and pressure switch VSi  
 Weight: 1.35 kg  
 Type: Switches to minus

### Design Data



Attribute	Value
B	130 mm
B1	159 mm
dn	10 mm
D	32 mm
H	131.4 mm
H1	137.4 mm
H2	20 mm
L	300 mm
L1	331 mm
L2	99 mm
L3	102 mm

### Contact to Schmalz

J. Schmalz GmbH | Johannes-Schmalz-Straße, 72293 Glatten, Deutschland | +49 7443 2403-102 | [customercenter@schmalz.de](mailto:customercenter@schmalz.de)

# Large-area vacuum gripper

FMCB-SW110 300 3R18 O20 VS<sub>i</sub>

Part no.:10.01.43.00017

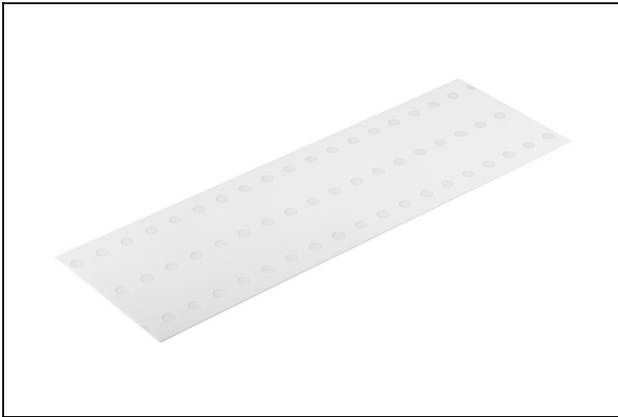
<https://www.schmalz.com/10.01.43.00017>



## Technical Data

Attribute	Value
Weight	1.35 kg
Material type	Foam O, height 20 mm
Number of suction cells	45

## Spare Parts



### MASK-FOL SW110 294 3R18 FLGR

Part no.10.01.11.03375

Front foil

Length L: 294 mm

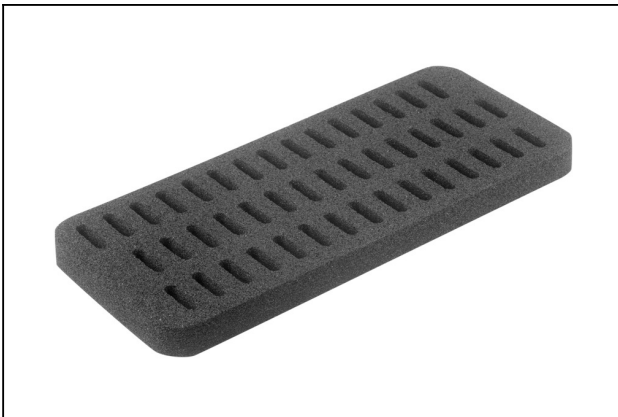
Width B: 109.8 mm

Arrangement: 3 rows, 18mm

Shape: flow resistors

Nozzle diameter: 1.1 mm

for: Large-area vacuum gripper



### DI-PL 300x130 3R18 LL-20x7 O20 KE

Part no.10.01.11.03658

Sealing plate (FXCB/FMCB)

Length L: 300 mm

Width B: 130 mm

Arrangement: 3 rows, 18mm

Cell size: slot 20x7mm

Material-Type: Foam O, Height 20 mm

with: Adhesive tape on one side

## Contact to Schmalz

J. Schmalz GmbH | Johannes-Schmalz-Straße, 72293 Glatten, Deutschland | +49 7443 2403-102 | [customercenter@schmalz.de](mailto:customercenter@schmalz.de)

## Large-area vacuum gripper

FMCB-SW110 300 3R18 O20 VS<sub>i</sub>

Part no.:10.01.43.00017

<https://www.schmalz.com/10.01.43.00017>



### VSi V D M8-4

Part no.10.06.02.00577

Vacuum and pressure switch with two digital output signals and IO-Link function

Measuring range: -1...0 bar

Type: with display

Electrical connection:

Male connect M8, 4 pole

Indication: 2xLED

Protection: IP 65



### GEH 314.6x144.2x91.7 FXCB-FMCB

Part no.10.01.43.00021

Housing (complex shape)

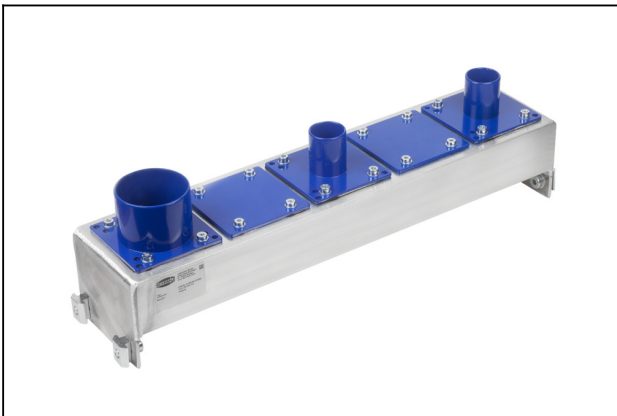
Length L: 314.6 mm

Width B: 144.2 mm

Height H: 91.7 mm

for: area gripper FXCB-FMCB

## Accessories



### VTR-SL 3x RST60 2xD32

Part no.10.01.43.00013

Vacuum distributor with hose connector

Number of connections: 3

Connection: Tube end Ø60

Shape: 2 x Tube end Ø32

## Large-area vacuum gripper

FMCB-SW110 300 3R18 O20 VS<sub>i</sub>

Part no.:10.01.43.00017

<https://www.schmalz.com/10.01.43.00017>



### ASK B-M12-8 280 WB-M8-8 UR

Part no.21.04.05.00350

Connection cable

Interface Connection 1:

Fem connect M12, 8 pol

Cable length: 280 mm

Interface Connection 2:

Elbow fem con M8, 8 pol

Material: PUR-Cable

Shape: Straight

for: Universal Robots



### ASV ECBPi WS-M8-3 WS-M8-8

Part no.21.04.05.00361

Connection distributor

for: CobotPump

Interface Connection 1:

Fem connect M12, 8 pol

Interface Connection 2:

Elbow con M8, 8 pole

Connection 2: Elbow con M8, 3 pole



### ASV ECBPi WS-M8-4 WS-M8-8

Part no.21.04.05.00362

Connection distributor

for: CobotPump

Interface Connection 1:

Fem connect M12, 8 pol

Interface Connection 2:

Elbow con M8, 8 pole

Connection 2: Elbow con M8, 4 pole

## Large-area vacuum gripper

FMCB-SW110 300 3R18 O20 VS<sub>i</sub>

Part no.:10.01.43.00017

<https://www.schmalz.com/10.01.43.00017>



### ASK B-M12-8 5000 K-8P

Part no.21.04.05.00079

Connection cable

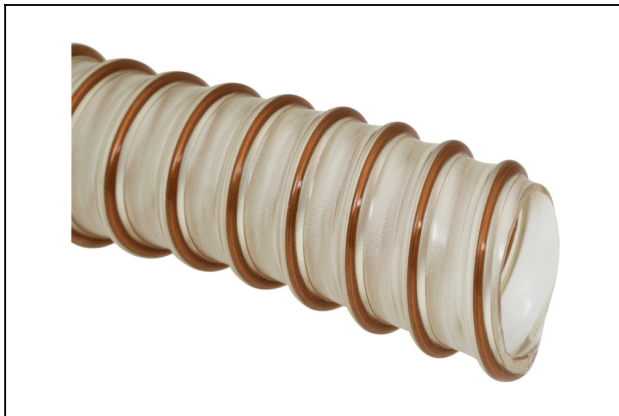
Interface Connection 1:

Fem connect M12, 8 pol

Cable length: 5000 mm

Interface Connection 2: Cable 8

Material: PUR-Cable



### VSL 42-32 PU-DS-AS

Part no.10.07.09.00036

Hose for vacuum and compressed-air systems

External diameter D: 42 mm

Internal diameter d: 32 mm

Length (max): 20 m

Material: PU, wire spiral, antistat

Installation radius (min): 25 mm

Colour: Transparent

Pressure range (operating pressure):

-1.00 ... 3.77 bar

Ambient temperature: -40 ... 90 °C



### VSL 10-7 PU

Part no.10.07.09.00084

Hose for vacuum and compressed-air systems

External diameter D: 10 mm

Internal diameter d: 7 mm

Length (max): 50 m

Material: PU

Installation radius (min): 60 mm

Colour: Transparent

Pressure range (operating pressure):

-0.95 ... 10.00 bar

Ambient temperature: -40 ... 85 °C

## Large-area vacuum gripper

FMCB-SW110 300 3R18 O20 VSi

Part no.:10.01.43.00017

<https://www.schmalz.com/10.01.43.00017>



### EMVP 32 24V-DC 3/2 NO

Part no.10.05.02.00068

Solenoid valve EMVP for vacuum, pneumatic pilot control

Nominal size: 32 mm

Voltage: 24V - DC

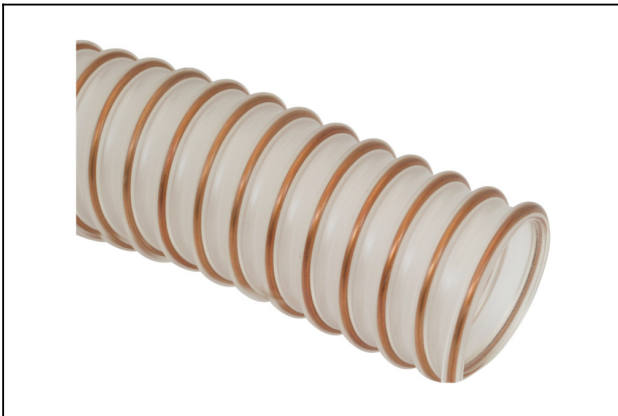
Function: 3/2-way valve

Control: Normally open

Connecting thread: G1-1/4"-F

Nominal flow rate: 130 m<sup>3</sup>/h

Weight: 0.5 kg



### VSL 71-60 PU-DS-AS

Part no.10.07.09.00065

Hose for vacuum and compressed-air systems

External diameter D: 71 mm

Internal diameter d: 60 mm

Length (max): 15 m

Material: PU, wire spiral, antistat

Installation radius (min): 156 mm

Colour: Transparent

Pressure range (operating pressure):

-1.00 ... 2.92 bar

Ambient temperature: -40 ... 90 °C