

Flat suction cup (round)

<https://www.schmalz.com/10.01.01.00024>



PFG 3.5 SI-55 N003

Part no.: 10.01.01.00024

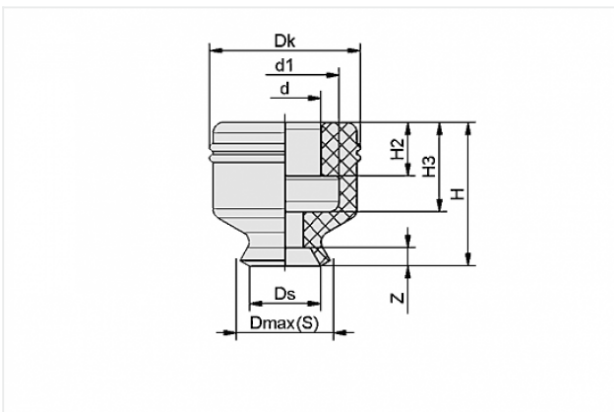
Homepage > Vacuum Technology for Automation > Vacuum Components > Vacuum Suction Cups > Flat Suction Cups (Round) > PFG 3.5 SI-55 N003

Flat suction cup (round) for smooth or slightly rough surfaces



Size: 3.5
Suction cup material: Silicone SI
Material hardness: 55 °Sh
Material characteristics:
FDA-compatible

Design Data



Attribute	Value
-----------	-------

d	2 mm
---	------

d1	3 mm
----	------

Dk	4.2 mm
----	--------

Dmax(S)	4 mm
---------	------

Ds	3.5 mm
----	--------

H	4 mm
---	------

H2	1.5 mm
----	--------

H3	2.5 mm
----	--------

Z	0.5 mm
---	--------

Contact to Schmalz

J. Schmalz GmbH | Johannes-Schmalz-Straße, 72293 Glatten, Deutschland | +49 7443 2403-102 | customercenter@schmalz.de

Technical Data

Attribute	Value
Suction force	0.42 N
Volume	0.015 cm ³
Curve radius (min) (convex)	7.5 mm
Size	3.5
Nipple	N 003
Number of folds	0
Suction cup material	Silicone SI
Material hardness	55 °Sh
Product family	PFG

Accessories



SA-NIP N003 M3-AG DN100

Part no. 10.01.01.00316

Suction cup connection nipple

Nipple: N 003

Thread G1: M3-M

Overall length: 7.5 mm

Fitting length: 2 mm

Nominal size: 1.00 mm

Material: Aluminium