

Large-area vacuum gripper

FXCB-SW150 297 3R54 SPB2 40 P VSi NO

Part no.:10.01.43.00070

<https://www.schmalz.com/10.01.43.00070>

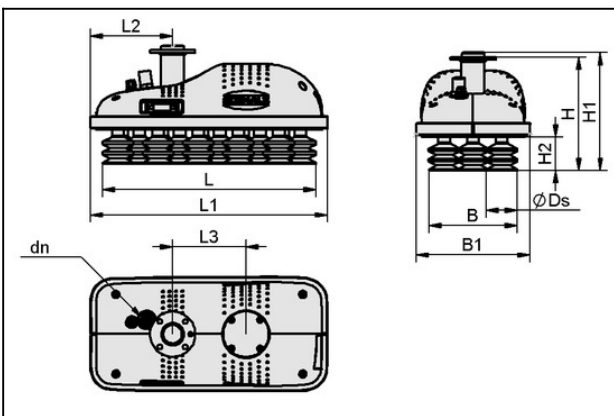
Homepage > Vacuum Technology for Automation > Vacuum Components > Area Gripping Systems and End Effectors > Vacuum Area Gripping Systems FXCB/FMCB > Vacuum Area Gripping Systems FXCB > FXCB-SW150 297 3R54 SPB2 40 P VSi NO

Vacuum area gripping system with integrated pneumatic vacuum generator and flow resistors



valve type: Flow resistance
 Nozzle diameter: 1.5 mm
 Length L: 297 mm
 Width B: 123.2 mm
 Height H: 158 mm
 Arrangement: 3 rows, 54mm
 Suct. cups: Bellows suct. cup SPB2
 Diameter Ds: 40 mm
 Shape: Push In
 with: 1x Contr.-val. vacuum/blow off
 with: Vacuum and pressure switch VSi
 with: Ejector module SEP
 Control: Normally open
 Weight: 2.169 kg
 Type: Switches to plus

Design Data



Attribute	Value
B	123.2 mm
B1	159 mm
dn	10 mm
H	158 mm
H1	164 mm
H2	47 mm
L	297 mm
L1	331 mm

Contact to Schmalz

Large-area vacuum gripper

FXCB-SW150 297 3R54 SPB2 40 P VSi NO

Part no.:10.01.43.00070

<https://www.schmalz.com/10.01.43.00070>

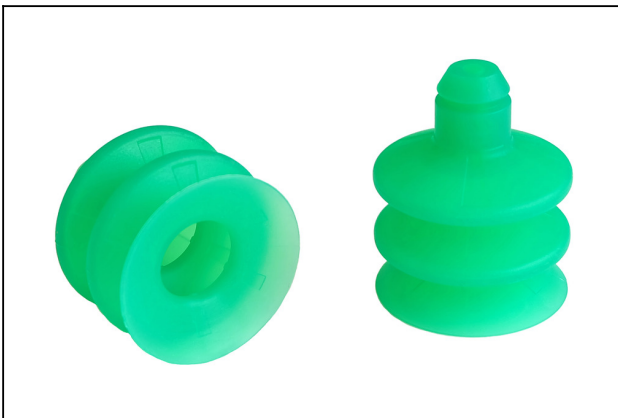


Attribute	Value
L2	114.4 mm
L3	102 mm

Technical Data

Attribute	Value
Weight	2.169 kg
Suction rate (max.)	525.9 l/min
Number of suction cells	15

Spare Parts



SPB2 40 SI-55 P

Part no.10.01.06.03126

Bellows suction cup (round) with 2.5 corr. for dynamic handling of cardboard and rigid packaging

Size: 40

Suction cup material: Silicone SI

Material hardness: 55 °Sh

Number of folds: 2.5

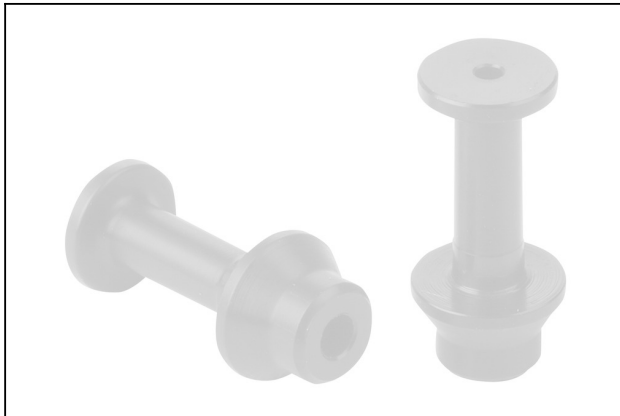
Shape: Push In

Large-area vacuum gripper

FXCB-SW150 297 3R54 SPB2 40 P VSi NO

Part no.:10.01.43.00070

<https://www.schmalz.com/10.01.43.00070>



SW 150 P 7.3

Part no.10.05.04.00093

Flow resistor for reduction of the volume flow rate

Nominal size: 1.50 mm

Shape: Push In

Length L: 15.5 mm

Material: Polyoxymethylene

External diameter D: 7.3 mm



GEH 314.6x144.2x91.7 FXCB-FMCB

Part no.10.01.43.00021

Housing (complex shape)

Length L: 314.6 mm

Width B: 144.2 mm

Height H: 91.7 mm

for: area gripper FXCB-FMCB



VSi V D M8-4

Part no.10.06.02.00577

Vacuum and pressure switch with two digital output signals and IO-Link function

Measuring range: -1...0 bar

Type: with display

Electrical connection:

Male connect M8, 4 pole

Indication: 2xLED

Protection: IP 65

Accessories

Contact to Schmalz

J. Schmalz GmbH | Johannes-Schmalz-Straße, 72293 Glatten, Deutschland | +49 7443 2403-102 | customercenter@schmalz.de

Large-area vacuum gripper

FXCB-SW150 297 3R54 SPB2 40 P VSi NO

Part no.:10.01.43.00070

<https://www.schmalz.com/10.01.43.00070>



ASK B-M12-8 280 WB-M8-8 UR

Part no.21.04.05.00350

Connection cable

Interface Connection 1:

Fem connect M12, 8 pol

Cable length: 280 mm

Interface Connection 2:

Elbow fem con M8, 8 pol

Material: PUR-Cable

Shape: Straight

for: Universal Robots



ASV ECBPi WS-M8-3 WS-M8-8

Part no.21.04.05.00361

Connection distributor

for: CobotPump

Interface Connection 1:

Fem connect M12, 8 pol

Interface Connection 2:

Elbow con M8, 8 pole

Connection 2: Elbow con M8, 3 pole



ASV ECBPi WS-M8-4 WS-M8-8

Part no.21.04.05.00362

Connection distributor

for: CobotPump

Interface Connection 1:

Fem connect M12, 8 pol

Interface Connection 2:

Elbow con M8, 8 pole

Connection 2: Elbow con M8, 4 pole

Large-area vacuum gripper

FXCB-SW150 297 3R54 SPB2 40 P VSi NO

Part no.:10.01.43.00070

<https://www.schmalz.com/10.01.43.00070>



ASK B-M12-8 5000 K-8P

Part no.21.04.05.00079

Connection cable

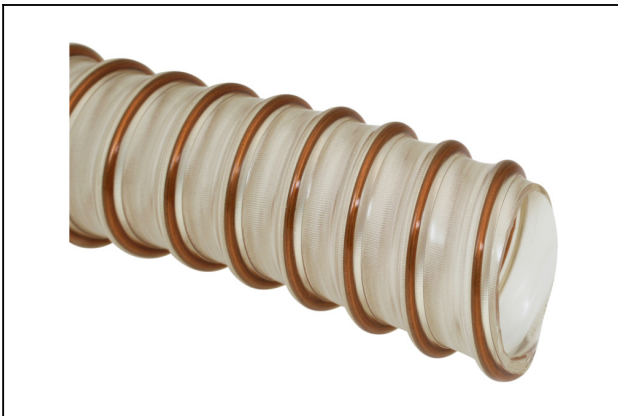
Interface Connection 1:

Fem connect M12, 8 pol

Cable length: 5000 mm

Interface Connection 2: Cable 8

Material: PUR-Cable



VSL 42-32 PU-DS-AS

Part no.10.07.09.00036

Hose for vacuum and compressed-air systems

External diameter D: 42 mm

Internal diameter d: 32 mm

Length (max): 20 m

Material: PU, wire spiral, antistat

Installation radius (min): 25 mm

Colour: Transparent

Pressure range (operating pressure):

-1.00 ... 3.77 bar

Ambient temperature: -40 ... 90 °C



VSL 10-7 PU

Part no.10.07.09.00084

Hose for vacuum and compressed-air systems

External diameter D: 10 mm

Internal diameter d: 7 mm

Length (max): 50 m

Material: PU

Installation radius (min): 60 mm

Colour: Transparent

Pressure range (operating pressure):

-0.95 ... 10.00 bar

Ambient temperature: -40 ... 85 °C

Large-area vacuum gripper

FXCB-SW150 297 3R54 SPB2 40 P VSi NO

Part no.:10.01.43.00070

<https://www.schmalz.com/10.01.43.00070>



EMVP 32 24V-DC 3/2 NO

Part no.10.05.02.00068

Solenoid valve EMVP for vacuum, pneumatic pilot control

Nominal size: 32 mm

Voltage: 24V - DC

Function: 3/2-way valve

Control: Normally open

Connecting thread: G1-1/4"-F

Nominal flow rate: 130 m³/h

Weight: 0.5 kg