

# Flat suction cup (round)

<https://www.schmalz.com/10.01.01.10042>



## PFG 3.5 NBR-AS-55 N003

Part no.: 10.01.01.10042

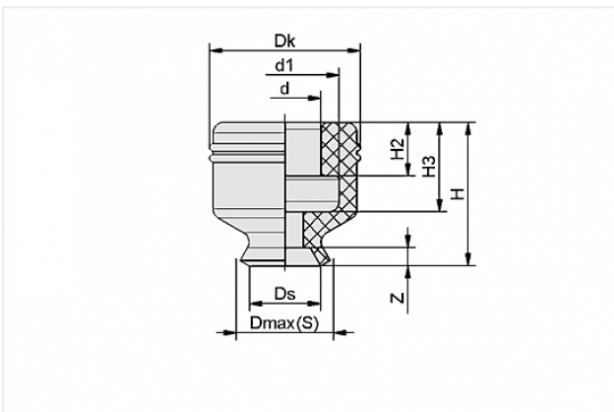
Homepage > Vacuum Technology for Automation > Vacuum Components > Vacuum Suction Cups > Flat Suction Cups (Round) > PFG 3.5 NBR-AS-55 N003

### Flat suction cup (round) for smooth or slightly rough surfaces



Size: 3.5  
Suction cup material:  
Nitrile rubber NBR-antistat  
Material hardness: 55 °Sh

### Design Data



Attribute	Value
-----------	-------

d	2 mm
d1	3 mm
Dk	4.2 mm
Dmax(S)	4 mm
Ds	3.5 mm
H	4 mm
H2	1.5 mm
H3	2.5 mm
Z	0.5 mm

### Contact to Schmalz

J. Schmalz GmbH | Johannes-Schmalz-Straße, 72293 Glatten, Deutschland | +49 7443 2403-102 | [customercenter@schmalz.de](mailto:customercenter@schmalz.de)

## Technical Data

Attribute	Value
Suction force	0.42 N
Volume	0.015 cm <sup>3</sup>
Curve radius (min) (convex)	7.5 mm
Size	3.5
Nipple	N 003
Number of folds	0
Suction cup material	Nitrile rubber NBR-antistat
Material hardness	55 °Sh
Product family	PFG

## Accessories



### SA-NIP N003 M3-AG DN100

Part no. 10.01.01.00316

Suction cup connection nipple

Nipple: N 003

Thread G1: M3-M

Overall length: 7.5 mm

Fitting length: 2 mm

Nominal size: 1.00 mm

Material: Aluminium