

STAINLESS STEEL HANDLE

SUS

FT-R

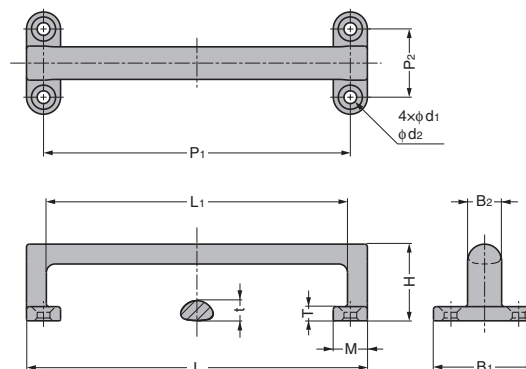


Features

- A rounded handle for a comfortable grip.
- Wide grip.

Parts Included

- FT-R-120: Raised countersunk head tapping screw 4x20 (SUS)
- FT-R-160: Raised countersunk head tapping screw 5x25 (SUS)



CAD	Item Code	Item Name	Material	Finish	L	L ₁	B ₁	B ₂	H	T	t	M	P ₁	P ₂	d ₁	d ₂	Weight (g)	Box (pcs)	Carton (pcs)
	100-034-130	FT-R-120	Stainless Steel	Polished	120	106	36	12	27	5.5	7	12	108	24	4.5	8.5	140	10	60
	100-034-131	FT-R-160	(SCS13)		160	142	48	16.3	36	7	9	16	144	32	5.5	10.5	285	5	20

*SCS13 is equivalent of SUS304.

STAINLESS STEEL HANDLE

SUS316

FT-T

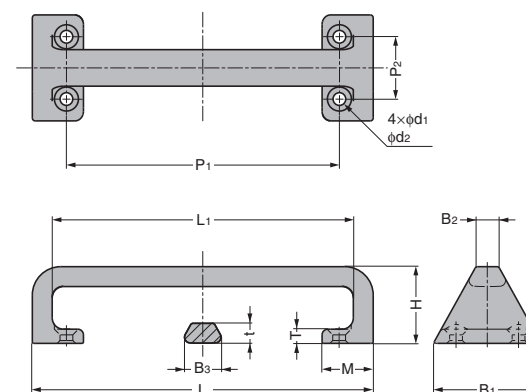


Features

- A substantial and firm shape with rounded inside edges allows for easy gripping.
- Wide grip.

Parts Included

- FT-T-120: Raised countersunk head tapping screw 4x20 (SUS)
- FT-T-170: Raised countersunk head tapping screw 5x25 (SUS)
- FT-T-220: Raised countersunk head tapping screw 6x35 (SUS)



CAD	Item Code	Item Name	Material	Finish	L	L ₁	B ₁	B ₂	B ₃	H	T	t	M	P ₁	P ₂	d ₁	d ₂	Weight (g)	Box (pcs)	Carton (pcs)
	100-034-132	FT-T-120	Stainless	Polished	120	105	39.3	10	15.1	28.5	6	7	19	96	24	4.5	8.5	225	10	40
	100-034-133	FT-T-170	Steel		170	150	53.3	12	18.7	38	7.5	10	25.5	135	32	5.5	10.5	500	5	20
	100-034-134	FT-T-220	(SCS14)		220	200	69.3	15	24.3	49.5	9.5	13	32.5	176	41	6.5	12.5	1000	1	10

*SCS14 is equivalent of SUS316.