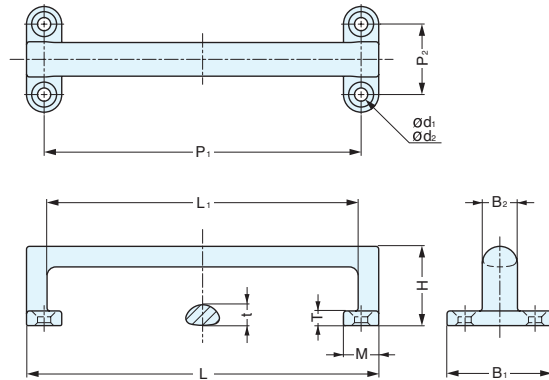
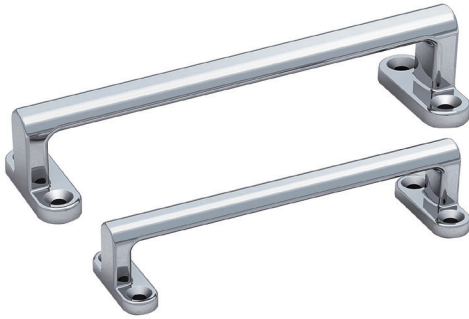


HANDLE



FT-R

- A rounded handle for a comfortable grip.
- Wide grip.



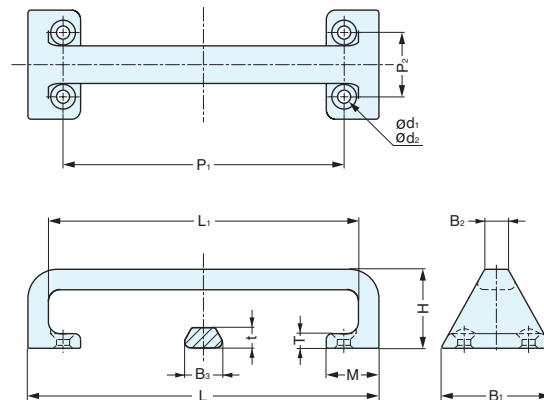
| Item No. | L | L1 | B1 | B2 | H | T | t | M | P1 | P2 | d1 | d2 | Weight (g) | Material | Finish |
|----------|----------------|-----|---------------|----|----|-----|---|----|----------------|----|-----|------|------------|---------------------|--------|
| FT-R-120 | 120 (4-23/32") | 106 | 36 (15/32") | 12 | 27 | 5.0 | 7 | 12 | 108 (4-1/4") | 24 | 4.5 | 8.5 | 140 | 304 Stainless Steel | Mirror |
| FT-R-160 | 160 (6-19/64") | 142 | 48 (1-57/64") | 16 | 36 | 6.5 | 9 | 16 | 144 (5-43/64") | 32 | 5.5 | 10.5 | 285 | | |

HANDLE



FT-T

- Ergonomically designed handle for a comfortable grip.
- Wide grip.



| Item No. | L | L1 | B1 | B2 | B3 | H | T | t | M | P1 | P2 | d1 | d2 | Weight (g) | Material | Finish |
|----------|----------------|-----|------|----|------|------|-----|------|------|----------------|----|-----|------|------------|---------------------|--------|
| FT-T-120 | 120 (4-23/32") | 105 | 40 | 10 | 15 | 28.5 | 5.5 | 7.5 | 19.0 | 96 (3-25/32") | 24 | 4.5 | 8.5 | 225 | 316 Stainless Steel | Mirror |
| FT-T-170 | 170 (6-11/16") | 150 | 54 | 12 | 19 | 38.0 | 7.0 | 10.0 | 25.5 | 135 (5-5/16") | 32 | 5.5 | 10.5 | 500 | | |
| FT-T-220 | 220 (8-21/32") | 200 | 69.3 | 15 | 24.3 | 49.5 | 9.3 | 13.0 | 32.5 | 176 (6-59/64") | 41 | 6.5 | 12.5 | 1000 | | |