

Flat suction cup (round)

<https://www.schmalz.com/10.01.01.12981>



PFG 3.5 HT1-60 N003

Part no.: 10.01.01.12981

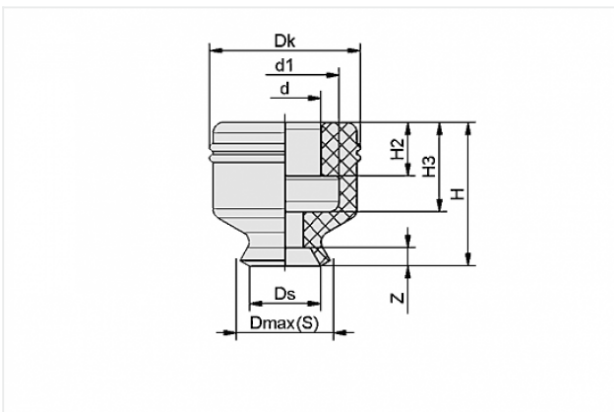
Homepage > Vacuum Technology for Automation > Vacuum Components > Vacuum Suction Cups > Flat Suction Cups (Round) > PFG 3.5 HT1-60 N003

Flat suction cup (round) for smooth or slightly rough surfaces



Size: 3.5
Suction cup material:
High temp material HT1
Material hardness: 60 °Sh

Design Data



Attribute	Value
-----------	-------

d	2 mm
d1	3 mm
Dk	4.2 mm
Dmax(S)	4 mm
Ds	3.5 mm
H	4 mm
H2	1.5 mm
H3	2.5 mm
Z	0.5 mm

Contact to Schmalz

J. Schmalz GmbH | Johannes-Schmalz-Straße, 72293 Glatten, Deutschland | +49 7443 2403-102 | customercenter@schmalz.de

Technical Data

Attribute	Value
Suction force	0.42 N
Volume	0.01462 cm ³
Curve radius (min) (convex)	7.5 mm
Size	3.5
Nipple	N 003
Number of folds	0
Suction cup material	High temp material HT1
Material hardness	60 °Sh
Product family	PFG

Accessories



SA-NIP N003 M3-AG DN100

Part no. 10.01.01.00316

Suction cup connection nipple

Nipple: N 003

Thread G1: M3-M

Overall length: 7.5 mm

Fitting length: 2 mm

Nominal size: 1.00 mm

Material: Aluminium