

ADJUSTABLE TORQUE HINGE HG-TBSJ40



Passed 40,000 open/close private cycle test

Free stop



- Torque adjustable from 0 to 4 N · m.
- Stainless steel construction suitable for corrosive environments.

[Specifications]

- Operating temperature: 0°C - 40°C

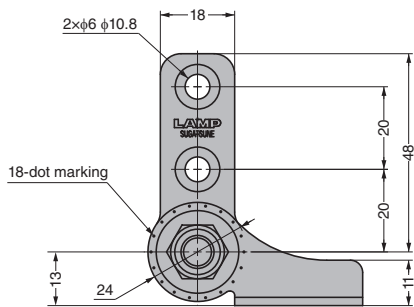
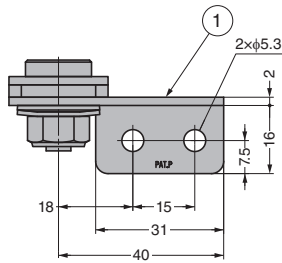
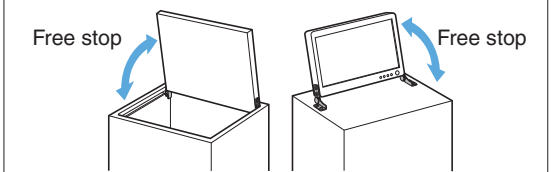
[Remarks]

- Be sure to read the "Cautions" 1.
- When installing, ensure that both hinge shafts are levelled and aligned.
- Use a spanner (nominal size 13) for torque adjustment.
- Do not forcibly remove the torque adjustment nut.
- The factory setting of torque is 4.0N · m. Adjust if necessary.

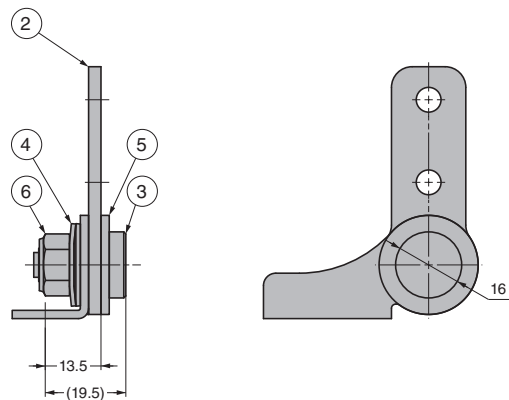
S Selection Tool
Sasuga-kun
 Applicable Products
 Used for Product Selection & Simulation.
 Available on Web!



[Application Example]



Left-handed type shown. Right-handed type is symmetrical.



No.	Part Name	Material	Finish
①	Body	Stainless Steel (SUS304)	Barrel Polished
②	Base		
③	Shaft	Stainless Steel (SUS303)	-
④	Spring Washer	Stainless Steel (SUS304)	Barrel Polished
⑤	Plate		
⑥	Lock Nut		

Ref's	CAD	Item Code	Item Name	Type	Torque N · m/pc	Torque kgf · cm/pc	Opening Angle	Weight (g)	Box (pcs)	Carton (pcs)
		170-037-308	HG-TBSJ40R	Right	0-4.0	0-40.8	360°	67	20	160
		170-037-309	HG-TBSJ40L	Left				67	20	160

Refer to 1 : P.15

TORQUE HINGES

DAMPER HINGES

LIFT ASSIST HINGES

DETENT HINGES

CONCEALED HINGES

BUTT HINGES

PIANO HINGES

STEP HINGES

LIFT-OFF HINGES

PIVOT HINGES

SPRING HINGES

CLEAN ROOM HINGES

HINGES FOR ALUMINIUM FRAME

DROP HINGES

GLASS DOOR HINGES

SPECIAL HINGES